

MITSUBISHI <LINEAR ICs>  
**M51204TL, FP**

**VOLTAGE COMPARATOR**

**DESCRIPTION**

The M51204 is a semiconductor integrated circuit for a voltage comparator that operates from a single power supply. Especially the M51204 has superiority as to characteristics of input current (high input resistance) and fits to wide ranged applications, for example CR timer, etc. M51204TL, FP's package is a mini SIP and FLAT package, therefore can use very easily.

**FEATURES**

- Low input current ..... 20nA(typ.)
- Wide operating voltage range ..... 2.5~28V
- Low power dissipation ..... 2.5mA(max.)
- Capable of directly driving a relay or a lamp
- High output breakdown voltage ..... 30V(max.)

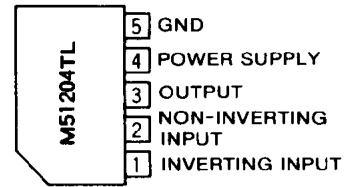
**APPLICATION**

Voltage comparator, electric shutter, CR timer, time delay circuit, oscillator (square wave)

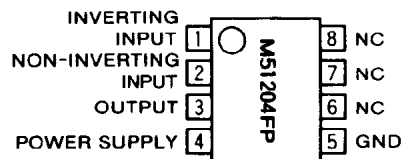
**RECOMMENDED OPERATING CONDITIONS**

- Supply voltage range ..... 2.5~28V
- Rated supply voltage ..... 12V

**PIN CONFIGURATION (TOP VIEW)**



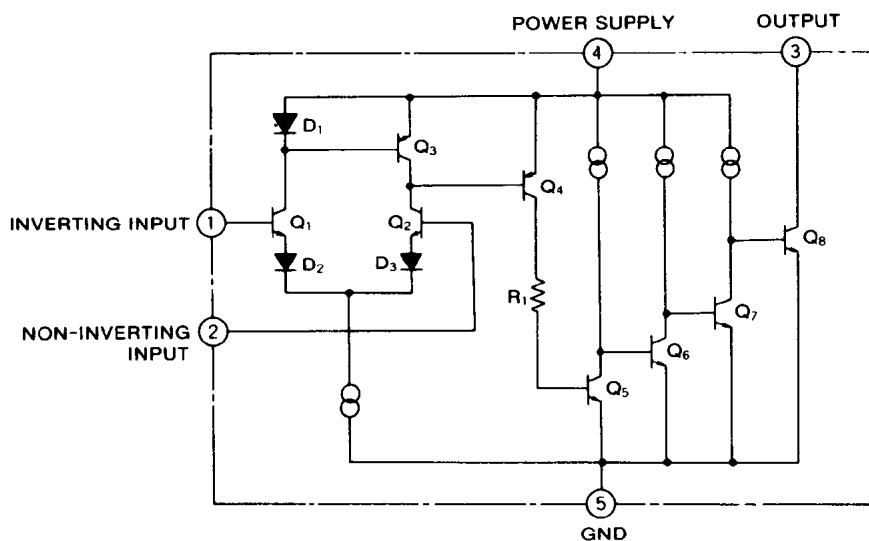
Outline 5P5T



Outline 8P2S-A

NC : NO CONNECTION

**EQUIVALENT CIRCUIT**



**VOLTAGE COMPARATOR**

**ABSOLUTE MAXIMUM RATINGS** ( $T_a=25^\circ\text{C}$ , unless otherwise noted)

Symbol	Parameter	Conditions	Ratings	Unit
$V_{CC}$	Supply voltage		28	V
$V_{IN}$	Input voltage		$V_{CC}$	V
$I_{OL}$	Output drive current	Output saturated	60	mA
$V_{OH}$	Output drive voltage		30	V
$P_d$	Power dissipation		180(M51204TL)	mW
			300(M51204FP)	
$K_\theta$	Thermal derating	$T_a \geq 25^\circ\text{C}$	1.8(M51204TL)	mW/°C
			3.0(M51204FP)	
$T_{opr}$	Operating temperature		-20~+75	°C
$T_{stg}$	Storage temperature		-40~+125	°C

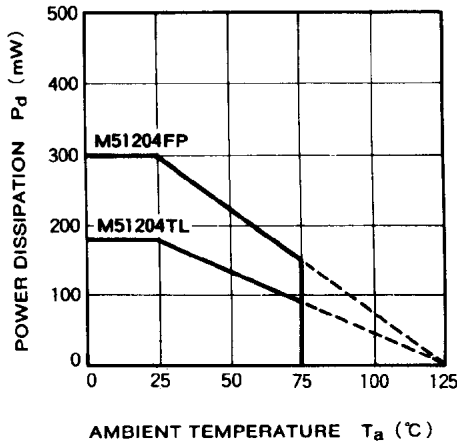
**ELECTRICAL CHARACTERISTICS** ( $T_a=25^\circ\text{C}$ )

Symbol	Parameter	Test conditions		Limits			Unit
		$V_{CC}(V)$		Min	Typ	Max	
$V_{CC}$	Supply voltage range			2.5		28	V
$I_{CC}$	Circuit current	6.0			1.8	2.5	mA
		12.0					
		24.0					
$V_{IN(1)}$	Inverting input voltage	12.0		1.4		$V_{CC}-0.2$	V
$V_{IN(2)}$	Non-inverting input voltage	12.0					
$I_{IN(1)}$	Inverting input current	6.0			20	75	nA
		12.0					
		24.0					
$I_{IN(2)}$	Non-inverting input current	6.0			20	75	nA
		12.0					
		24.0					
$V_{IO}$	Input offset voltage	6.0	Reference voltage at Pin ①	-7	2	12	mV
		12.0					
		24.0					
$V_{OL}$	Output saturation voltage	6.0	$R_L=100\Omega$		0.3	0.6	V
		12.0	$R_L=200\Omega$				
		24.0	$R_L=400\Omega$				
$t_{PLH}$	Output "L-H" propagation delay time	12.0			1		$\mu\text{s}$
$t_{PHL}$	Output "H-L" propagation delay time				10		$\mu\text{s}$

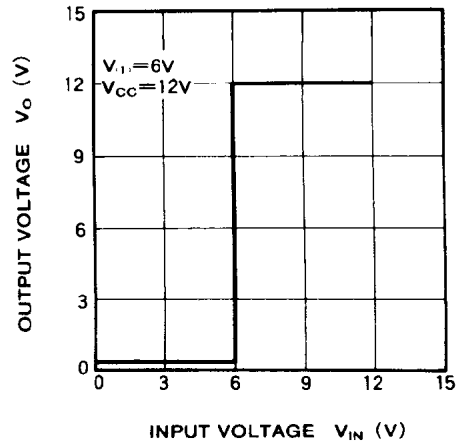
**VOLTAGE COMPARATOR**

**TYPICAL CHARACTERISTICS** ( $T_a=25^\circ\text{C}$ , unless otherwise noted)

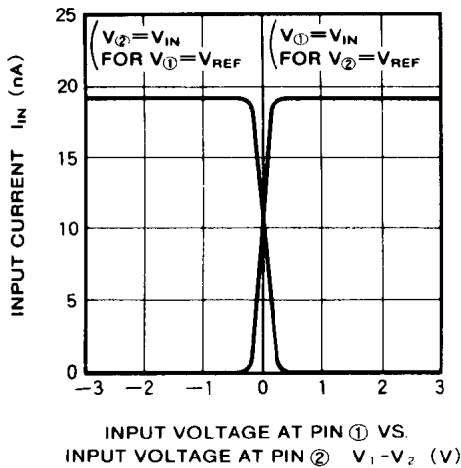
**THERMAL DERATING (MAXIMUM RATING)**



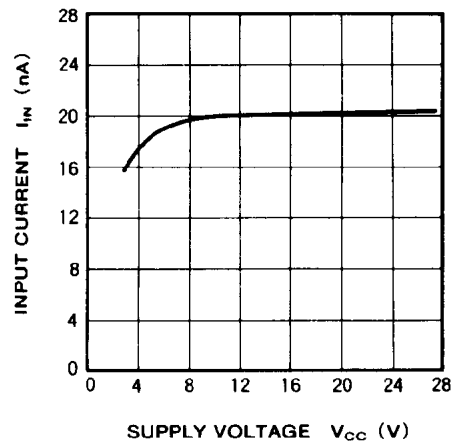
**OUTPUT VOLTAGE VS. INPUT VOLTAGE**



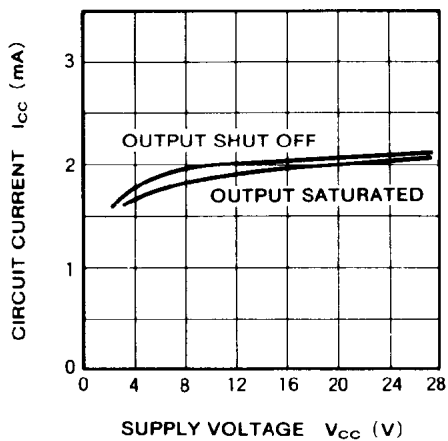
**INPUT CURRENT VS. INPUT VOLTAGE**



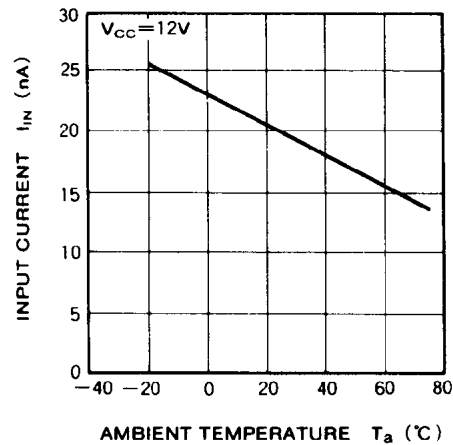
**INPUT CURRENT VS. SUPPLY VOLTAGE**



**CIRCUIT CURRENT VS. SUPPLY VOLTAGE**

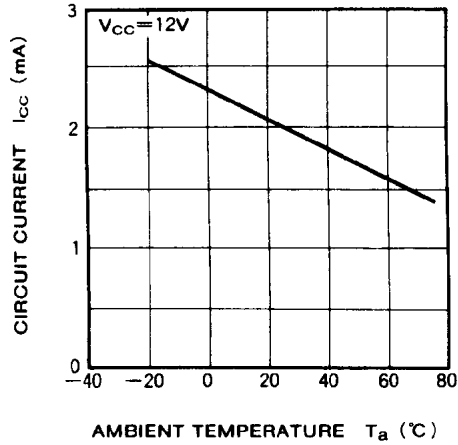


**INPUT CURRENT VS. AMBIENT TEMPERATURE**

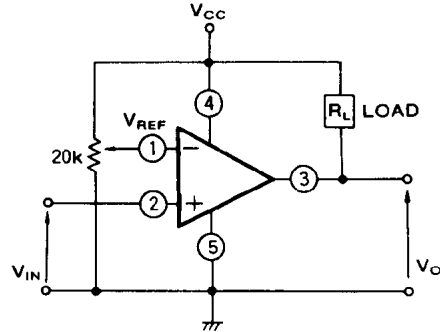


**APPLICATION EXAMPLES**

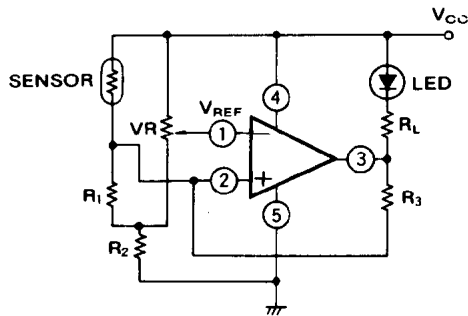
**CIRCUIT CURRENT VS. AMBIENT TEMPERATURE**



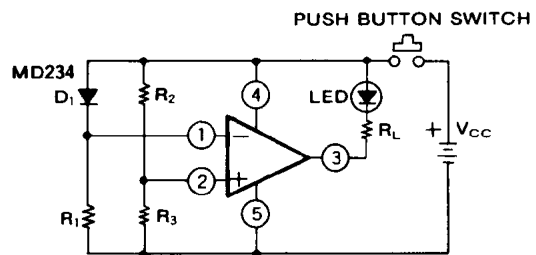
**(1) Voltage comparator**



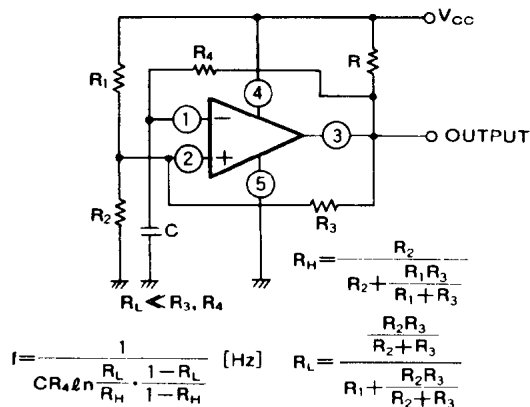
**(2) Sensor detection circuit**



**(3) Battery check circuit**



**(4) Oscillator**



**PRECAUTIONS FOR USE**

1. Paying much attention is necessary for fear that the M51204TL,FP may flow large current and reach to destroy because of the structure when the terminals of  $V_{CC}$  and GND of the M51204TL,FP is connected wrong position each other.
2. Output is "open collector" and a loading resistor is not included. Connect a loading resistor to stabilize operation, in case of driving a next stage.