

MXR シリーズ
SERIES

基板自立形105 標準品
105 Standard, Snap-in Terminal Type

特長 FEATURES

- 105 3000時間品。
Load Life : 105 3000 hours.
- 従来のMXPシリーズを小形・高リップル化。
Smaller size with higher ripple current endurance than MXP series.



規格表 SPECIFICATIONS

| 項目 Items | 特性 Characteristics | | | | | | | | | | | | | | | | | | | | | | | | | |
|--|--|---------------|-------------------------------|---|------------------------------|--|-------------------------|---|---------|---------|----------------|---------|-------------------|----------------|-----|------|------|------|------|------|------|------|------|------|------|--|
| カテゴリ温度範囲 Category Temperature Range | - 40 ~ + 105 | - 25 ~ + 105 | | | | | | | | | | | | | | | | | | | | | | | | |
| 定格電圧範囲 Rated Voltage Range | 10 ~ 100V.DC | 160 ~ 450V.DC | | | | | | | | | | | | | | | | | | | | | | | | |
| 静電容量許容差 Capacitance Tolerance | ± 20% (20 , 120Hz) | | | | | | | | | | | | | | | | | | | | | | | | | |
| 漏れ電流 Leakage Current(MAX) | $I = 3\sqrt{CV}$ (定格電圧印加5分後) $I = 3\sqrt{CV}$ (After 5 minutes application of rated voltage) I = 漏れ電流 (μA) V = 定格電圧 (V) C = 定格静電容量 (μF) Leakage Current Rated Voltage Rated Capacitance | | | | | | | | | | | | | | | | | | | | | | | | | |
| 損失角の正接 (tan) Dissipation Factor(MAX) | <table border="1"> <tr> <td>定格電圧(V) Rated Voltage</td> <td>10</td> <td>16</td> <td>25</td> <td>35</td> <td>50</td> <td>63</td> <td>80</td> <td>100</td> <td>160~250</td> <td>315~450</td> <td>(20 , 120Hz)</td> </tr> <tr> <td>tan</td> <td>0.55</td> <td>0.50</td> <td>0.45</td> <td>0.40</td> <td>0.35</td> <td>0.30</td> <td>0.25</td> <td>0.20</td> <td>0.15</td> <td>0.15</td> <td></td> </tr> </table> | | 定格電圧(V) Rated Voltage | 10 | 16 | 25 | 35 | 50 | 63 | 80 | 100 | 160~250 | 315~450 | (20 , 120Hz) | tan | 0.55 | 0.50 | 0.45 | 0.40 | 0.35 | 0.30 | 0.25 | 0.20 | 0.15 | 0.15 | |
| 定格電圧(V) Rated Voltage | 10 | 16 | 25 | 35 | 50 | 63 | 80 | 100 | 160~250 | 315~450 | (20 , 120Hz) | | | | | | | | | | | | | | | |
| tan | 0.55 | 0.50 | 0.45 | 0.40 | 0.35 | 0.30 | 0.25 | 0.20 | 0.15 | 0.15 | | | | | | | | | | | | | | | | |
| インピーダンス比 Impedance Ratio(MAX) | <table border="1"> <tr> <td>定格電圧(V) Rated Voltage</td> <td>10 ~ 100</td> <td>160 ~ 250</td> <td>315 ~ 450</td> <td>(120Hz)</td> </tr> <tr> <td>Z (- 25)Z (20)</td> <td>3</td> <td>3</td> <td>8</td> <td></td> </tr> <tr> <td>Z (- 40)Z (20)</td> <td>12</td> <td></td> <td></td> <td></td> </tr> </table> | | 定格電圧(V) Rated Voltage | 10 ~ 100 | 160 ~ 250 | 315 ~ 450 | (120Hz) | Z (- 25)Z (20) | 3 | 3 | 8 | | Z (- 40)Z (20) | 12 | | | | | | | | | | | | |
| 定格電圧(V) Rated Voltage | 10 ~ 100 | 160 ~ 250 | 315 ~ 450 | (120Hz) | | | | | | | | | | | | | | | | | | | | | | |
| Z (- 25)Z (20) | 3 | 3 | 8 | | | | | | | | | | | | | | | | | | | | | | | |
| Z (- 40)Z (20) | 12 | | | | | | | | | | | | | | | | | | | | | | | | | |
| 耐久 Endurance | 105 中で3000時間定格電圧 (リプル重畳) 印加後、下記項目を満足すること After applying rated voltage with rated ripple current for 3000hrs at 105 , the capacitors shall meet the following requirements. <table border="1"> <tr> <td>静電容量変化率 Capacitance Change</td> <td>初期値の ± 20% 以内 Within ± 20% of the initial value.</td> </tr> <tr> <td>損失角の正接 Dissipation Factor</td> <td>規格値の200%以下 Not more than 200% of the specified value.</td> </tr> <tr> <td>漏れ電流 Leakage Current</td> <td>規格値以下 Not more than the specified value.</td> </tr> </table> | | 静電容量変化率 Capacitance Change | 初期値の ± 20% 以内 Within ± 20% of the initial value. | 損失角の正接 Dissipation Factor | 規格値の200%以下 Not more than 200% of the specified value. | 漏れ電流 Leakage Current | 規格値以下 Not more than the specified value. | | | | | | | | | | | | | | | | | | |
| 静電容量変化率 Capacitance Change | 初期値の ± 20% 以内 Within ± 20% of the initial value. | | | | | | | | | | | | | | | | | | | | | | | | | |
| 損失角の正接 Dissipation Factor | 規格値の200%以下 Not more than 200% of the specified value. | | | | | | | | | | | | | | | | | | | | | | | | | |
| 漏れ電流 Leakage Current | 規格値以下 Not more than the specified value. | | | | | | | | | | | | | | | | | | | | | | | | | |

品番呼称方法 EXPLANATION OF PART NUMBER

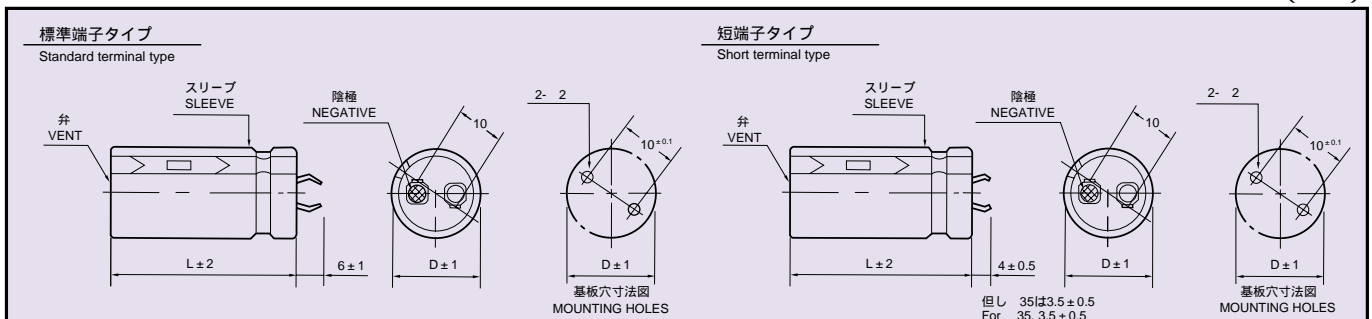
| | | | | | | |
|-----------------------|-----------------|-----------------------------|----------------------------------|---------------|-----------------------|---------------------|
| MXR | | | | | | D x L |
| 定格電圧 Rated Voltage | シリーズ名 Series | 定格静電容量 Rated Capacitance | 静電容量許容差 Capacitance Tolerance | 副記号 Option | 端子記号 Terminal Code | ケースサイズ Case Size |

端子記号 Terminal Code

| | 記号 Code |
|------------------------|----------|
| 標準端子 Standard Terminal | なし Blank |
| 短端子 Short Terminal | ST |

寸法図 DIMENSIONS

(mm)





大形アルミニウム電解コンデンサ

LARGE CAN TYPE ALUMINUM ELECTROLYTIC CAPACITORS

MXR

寸法一覧表, 定格リップル電流一覧表 STANDARD SIZE, RATED RIPPLE CURRENT

| Cap (μ F) | WV D | 10 | | | | | 16 | | | | |
|-------------------|---------|---------------|---------------|---------------|---------------|---------------|---------------|---------------|---------------|---------------|---------------|
| | | 20 | 22 | 25 | 30 | 35 | 20 | 22 | 25 | 30 | 35 |
| 5600 | | | | | | | 20 x 25; 1.68 | | | | |
| 6800 | | 20 x 25; 1.31 | | | | | 20 x 30; 1.80 | 22 x 25; 1.75 | | | |
| 8200 | | 20 x 30; 1.59 | | | | | 20 x 35; 2.08 | 22 x 30; 2.00 | | | |
| 10000 | | 20 x 30; 1.88 | 22 x 25; 1.77 | | | | 20 x 40; 2.15 | 22 x 30; 2.10 | 25 x 25; 2.05 | | |
| 12000 | | 20 x 35; 2.18 | 22 x 30; 2.10 | 25 x 25; 1.94 | | | | 22 x 35; 2.31 | 25 x 30; 2.30 | 30 x 25; 2.30 | |
| 15000 | | 20 x 40; 2.27 | 22 x 35; 2.23 | 25 x 30; 2.10 | | | | 22 x 40; 2.68 | 25 x 35; 2.58 | 30 x 30; 2.57 | |
| 18000 | | | 22 x 40; 2.41 | 25 x 30; 2.34 | 30 x 25; 2.25 | | | 22 x 50; 3.20 | 25 x 40; 3.16 | 30 x 30; 2.98 | |
| 22000 | | | 22 x 45; 2.58 | 25 x 35; 2.54 | 30 x 30; 2.50 | | | | 25 x 45; 3.36 | 30 x 35; 3.30 | 35 x 30; 3.25 |
| 27000 | | | 22 x 50; 3.17 | 25 x 40; 3.07 | 30 x 30; 2.95 | | | | 25 x 50; 3.85 | 30 x 40; 3.80 | 35 x 35; 3.93 |
| 33000 | | | | 25 x 45; 3.39 | 30 x 35; 3.33 | 35 x 30; 3.21 | | | | 30 x 45; 4.30 | 35 x 35; 4.27 |
| 39000 | | | | | 30 x 40; 3.70 | 35 x 35; 3.68 | | | | 30 x 50; 4.81 | 35 x 40; 4.80 |
| 47000 | | | | | 30 x 45; 4.22 | 35 x 40; 4.16 | | | | | 35 x 45; 5.53 |
| 56000 | | | | | | 35 x 45; 5.00 | | | | | |

| Cap (μ F) | WV D | 25 | | | | | 35 | | | | |
|-------------------|---------|---------------|---------------|---------------|---------------|---------------|---------------|---------------|---------------|---------------|---------------|
| | | 20 | 22 | 25 | 30 | 35 | 20 | 22 | 25 | 30 | 35 |
| 2700 | | | | | | | 20 x 25; 1.29 | | | | |
| 3300 | | | | | | | 20 x 30; 1.57 | 22 x 25; 1.45 | | | |
| 3900 | | 20 x 25; 1.58 | | | | | 20 x 35; 1.78 | 22 x 30; 1.69 | | | |
| 4700 | | 20 x 30; 1.65 | 22 x 25; 1.61 | | | | 20 x 40; 2.02 | 22 x 35; 2.02 | 25 x 25; 1.62 | | |
| 5600 | | 20 x 35; 1.85 | 22 x 30; 1.80 | | | | | 22 x 35; 2.13 | 25 x 30; 2.00 | | |
| 6800 | | 20 x 40; 2.11 | 22 x 35; 2.09 | 25 x 25; 1.87 | | | | 22 x 40; 2.41 | 25 x 35; 2.31 | 30 x 25; 2.31 | |
| 8200 | | | 22 x 40; 2.31 | 25 x 30; 2.34 | 30 x 25; 2.16 | | | 22 x 50; 2.85 | 25 x 40; 2.73 | 30 x 30; 2.75 | |
| 10000 | | | 22 x 45; 2.65 | 25 x 35; 2.61 | 30 x 30; 2.61 | | | | 25 x 45; 3.05 | 30 x 35; 3.05 | |
| 12000 | | | 22 x 50; 2.80 | 25 x 40; 2.81 | 30 x 30; 2.74 | | | | 25 x 50; 3.37 | 30 x 40; 3.23 | 35 x 30; 3.19 |
| 15000 | | | | 25 x 45; 3.27 | 30 x 35; 3.13 | 35 x 30; 3.26 | | | | 30 x 45; 3.72 | 35 x 35; 3.67 |
| 18000 | | | | | 30 x 40; 3.56 | 35 x 35; 3.84 | | | | | 35 x 40; 4.37 |
| 22000 | | | | | 30 x 45; 4.04 | 35 x 35; 3.75 | | | | | 35 x 45; 4.92 |
| 27000 | | | | | | 35 x 45; 4.74 | | | | | |
| 33000 | | | | | | 35 x 50; 5.50 | | | | | |

| Cap (μ F) | WV D | 50 | | | | | 63 | | | | |
|-------------------|---------|---------------|---------------|---------------|---------------|---------------|---------------|---------------|---------------|---------------|---------------|
| | | 20 | 22 | 25 | 30 | 35 | 20 | 22 | 25 | 30 | 35 |
| 1000 | | | | | | | 20 x 25; 1.10 | | | | |
| 1200 | | | | | | | 20 x 30; 1.20 | 22 x 25; 1.20 | | | |
| 1500 | | 20 x 25; 1.15 | | | | | 20 x 35; 1.47 | 22 x 30; 1.47 | | | |
| 1800 | | 20 x 30; 1.39 | 22 x 25; 1.34 | | | | 20 x 35; 1.58 | 22 x 30; 1.58 | 25 x 25; 1.52 | | |
| 2200 | | 20 x 35; 1.60 | 22 x 30; 1.60 | | | | 20 x 40; 1.80 | 22 x 35; 1.82 | 25 x 30; 1.75 | | |
| 2700 | | 20 x 35; 1.73 | 22 x 30; 1.70 | 25 x 25; 1.70 | | | | 22 x 40; 2.07 | 25 x 35; 2.11 | 30 x 25; 1.72 | |
| 3300 | | 20 x 40; 1.97 | 22 x 35; 1.97 | 25 x 30; 1.88 | | | | 22 x 45; 2.33 | 25 x 35; 2.27 | 30 x 30; 2.24 | |
| 3900 | | | 22 x 40; 2.22 | 25 x 30; 2.20 | 30 x 25; 1.95 | | | | 25 x 40; 2.51 | 30 x 35; 2.55 | |
| 4700 | | | 22 x 45; 2.43 | 25 x 35; 2.43 | 30 x 30; 2.25 | | | | 25 x 50; 2.97 | 30 x 40; 2.86 | 35 x 30; 2.80 |
| 5600 | | | 22 x 50; 2.75 | 25 x 40; 2.72 | 30 x 30; 2.64 | | | | | 30 x 40; 3.22 | 35 x 35; 3.20 |
| 6800 | | | | 25 x 45; 3.30 | 30 x 35; 3.30 | 35 x 30; 3.25 | | | | 30 x 50; 3.65 | 35 x 40; 3.65 |
| 8200 | | | | | 30 x 40; 3.60 | 35 x 35; 3.60 | | | | | 35 x 45; 4.04 |
| 10000 | | | | | 30 x 50; 4.05 | 35 x 40; 4.04 | | | | | 35 x 50; 4.48 |
| 12000 | | | | | | 35 x 45; 4.56 | | | | | |
| 15000 | | | | | | 35 x 50; 4.77 | | | | | |

| Cap (μ F) | WV D | 80 | | | | | 100 | | | | |
|-------------------|---------|---------------|---------------|---------------|---------------|---------------|---------------|---------------|---------------|---------------|---------------|
| | | 20 | 22 | 25 | 30 | 35 | 20 | 22 | 25 | 30 | 35 |
| 560 | | | | | | | 20 x 25; 0.95 | | | | |
| 680 | | | | | | | 20 x 30; 1.15 | 22 x 25; 1.09 | | | |
| 820 | | 20 x 25; 1.04 | | | | | 20 x 35; 1.31 | 22 x 30; 1.32 | | | |
| 1000 | | 20 x 30; 1.24 | 22 x 25; 1.19 | | | | 20 x 35; 1.43 | 22 x 30; 1.47 | 25 x 25; 1.45 | | |
| 1200 | | 20 x 35; 1.43 | 22 x 30; 1.44 | | | | 20 x 40; 1.61 | 22 x 35; 1.69 | 25 x 30; 1.68 | | |
| 1500 | | 20 x 35; 1.57 | 22 x 30; 1.59 | 25 x 25; 1.59 | | | | 22 x 40; 1.97 | 25 x 35; 1.98 | 30 x 25; 1.95 | |
| 1800 | | 20 x 40; 1.77 | 22 x 35; 1.79 | 25 x 30; 1.71 | | | | 22 x 45; 2.23 | 25 x 40; 2.20 | 30 x 30; 2.20 | |
| 2200 | | | 22 x 40; 2.03 | 25 x 35; 1.98 | 30 x 25; 1.98 | | | | 25 x 45; 2.53 | 30 x 35; 2.55 | 35 x 30; 2.50 |
| 2700 | | | 22 x 45; 2.39 | 25 x 40; 2.35 | 30 x 30; 2.35 | | | | 25 x 50; 2.82 | 30 x 40; 2.86 | 35 x 35; 2.89 |
| 3300 | | | | 25 x 45; 2.64 | 30 x 35; 2.61 | 35 x 30; 2.47 | | | | 30 x 45; 3.30 | 35 x 35; 3.25 |
| 3900 | | | | 25 x 50; 2.92 | 30 x 40; 2.82 | 35 x 30; 2.97 | | | | 30 x 50; 3.60 | 35 x 40; 3.67 |
| 4700 | | | | | 30 x 45; 3.34 | 35 x 35; 3.38 | | | | | 35 x 45; 3.80 |
| 5600 | | | | | 30 x 50; 3.80 | 35 x 40; 3.80 | | | | | 35 x 50; 4.05 |
| 6800 | | | | | | 35 x 45; 3.90 | | | | | |
| 8200 | | | | | | 35 x 50; 4.20 | | | | | |

↑ リップル電流 Ripple Current A r.m.s./120Hz:105
 ↑ ケースサイズ Case Size D^{±1} x L^{±2}(mm)



大形アルミニウム電解コンデンサ

LARGE CAN TYPE ALUMINUM ELECTROLYTIC CAPACITORS

MXR

寸法一覧表, 定格リップル電流一覧表 STANDARD SIZE, RATED RIPPLE CURRENT

| Cap (μ F) | WV D | 160 | | | | | 180 | | | | |
|-------------------|---------|---------------|---------------|---------------|---------------|---------------|---------------|---------------|---------------|---------------|---------------|
| | | 20 | 22 | 25 | 30 | 35 | 20 | 22 | 25 | 30 | 35 |
| 220 | | | | | | | 20 x 25; 0.81 | | | | |
| 270 | | 20 x 25; 0.87 | | | | | 20 x 30; 0.95 | 22 x 25; 0.97 | | | |
| 330 | | 20 x 30; 1.02 | 22 x 25; 1.03 | | | | 20 x 35; 1.09 | 22 x 30; 1.13 | | | |
| 390 | | 20 x 35; 1.15 | 22 x 30; 1.17 | | | | 20 x 35; 1.28 | 22 x 30; 1.32 | 25 x 25; 1.33 | | |
| 470 | | 20 x 40; 1.25 | 22 x 30; 1.28 | 25 x 25; 1.29 | | | 20 x 40; 1.34 | 22 x 35; 1.39 | 25 x 30; 1.43 | | |
| 560 | | | 22 x 35; 1.45 | 25 x 30; 1.49 | | | | 22 x 40; 1.56 | 25 x 30; 1.53 | 30 x 25; 1.56 | |
| 680 | | | 22 x 40; 1.64 | 25 x 35; 1.70 | 30 x 25; 1.63 | | | 22 x 45; 1.76 | 25 x 35; 1.76 | 30 x 30; 1.74 | |
| 820 | | | 22 x 45; 1.85 | 25 x 40; 1.92 | 30 x 30; 1.91 | | | 22 x 50; 1.97 | 25 x 40; 1.99 | 30 x 30; 1.93 | |
| 1000 | | | | 25 x 45; 2.17 | 30 x 35; 2.19 | | | | 25 x 45; 2.24 | 30 x 35; 2.24 | 35 x 30; 2.20 |
| 1200 | | | | 25 x 50; 2.43 | 30 x 40; 2.48 | 35 x 30; 2.25 | | | | 30 x 40; 2.53 | 35 x 35; 2.54 |
| 1500 | | | | | 30 x 45; 2.82 | 35 x 35; 2.62 | | | | 30 x 50; 3.03 | 35 x 40; 2.91 |
| 1800 | | | | | 30 x 50; 3.13 | 35 x 40; 2.97 | | | | | 35 x 45; 3.25 |
| 2200 | | | | | | 35 x 45; 3.34 | | | | | 35 x 50; 3.62 |

| Cap (μ F) | WV D | 200 | | | | | 220 | | | | |
|-------------------|---------|---------------|---------------|---------------|---------------|---------------|---------------|---------------|---------------|---------------|---------------|
| | | 20 | 22 | 25 | 30 | 35 | 20 | 22 | 25 | 30 | 35 |
| 180 | | | | | | | 20 x 25; 0.81 | | | | |
| 220 | | 20 x 25; 0.83 | | | | | 20 x 30; 0.94 | 22 x 25; 0.94 | | | |
| 270 | | 20 x 30; 0.97 | 22 x 25; 0.99 | | | | 20 x 35; 1.10 | 22 x 30; 1.09 | | | |
| 330 | | 20 x 35; 1.17 | 22 x 30; 1.20 | 25 x 25; 1.20 | | | 20 x 40; 1.18 | 22 x 35; 1.24 | 25 x 25; 1.14 | | |
| 390 | | 20 x 40; 1.27 | 22 x 35; 1.30 | 25 x 30; 1.34 | | | 20 x 45; 1.33 | 22 x 35; 1.30 | 25 x 25; 1.26 | | |
| 470 | | | 22 x 40; 1.44 | 25 x 30; 1.44 | 30 x 25; 1.48 | | | 22 x 40; 1.41 | 25 x 30; 1.39 | 30 x 25; 1.37 | |
| 560 | | | 22 x 45; 1.60 | 25 x 35; 1.60 | 30 x 30; 1.60 | | | 22 x 45; 1.60 | 25 x 35; 1.56 | 30 x 30; 1.61 | 35 x 25; 1.52 |
| 680 | | | 22 x 50; 1.75 | 25 x 40; 1.76 | 30 x 30; 1.74 | | | | 25 x 40; 1.75 | 30 x 35; 1.76 | 35 x 30; 1.72 |
| 820 | | | | 25 x 45; 2.10 | 30 x 35; 2.11 | 35 x 30; 2.10 | | | 25 x 45; 1.97 | 30 x 40; 2.06 | 35 x 30; 1.95 |
| 1000 | | | | 25 x 50; 2.36 | 30 x 40; 2.40 | 35 x 35; 2.30 | | | | 30 x 45; 2.44 | 35 x 35; 2.20 |
| 1200 | | | | | 30 x 45; 2.69 | 35 x 35; 2.53 | | | | | 35 x 40; 2.37 |
| 1500 | | | | | | 35 x 40; 2.97 | | | | | 35 x 45; 2.64 |
| 1800 | | | | | | 35 x 50; 3.45 | | | | | |

| Cap (μ F) | WV D | 250 | | | | | 315 | | | | |
|-------------------|---------|---------------|---------------|---------------|---------------|---------------|---------------|---------------|---------------|---------------|---------------|
| | | 20 | 22 | 25 | 30 | 35 | 20 | 22 | 25 | 30 | 35 |
| 82 | | | | | | | 20 x 25; 0.39 | | | | |
| 100 | | | | | | | 20 x 30; 0.45 | | | | |
| 120 | | | | | | | 20 x 30; 0.54 | 22 x 25; 0.56 | | | |
| 150 | | 20 x 25; 0.71 | | | | | 20 x 35; 0.64 | 22 x 30; 0.66 | 25 x 25; 0.65 | | |
| 180 | | 20 x 30; 0.82 | 22 x 25; 0.84 | | | | 20 x 40; 0.75 | 22 x 35; 0.78 | 25 x 30; 0.71 | | |
| 220 | | 20 x 35; 0.95 | 22 x 30; 0.97 | 25 x 25; 0.99 | | | | 22 x 40; 0.89 | 25 x 30; 0.85 | 30 x 25; 0.83 | |
| 270 | | 20 x 40; 1.08 | 22 x 35; 1.11 | 25 x 30; 1.15 | | | | 22 x 45; 1.01 | 25 x 35; 0.98 | 30 x 30; 1.01 | |
| 330 | | | 22 x 40; 1.26 | 25 x 30; 1.26 | 30 x 25; 1.31 | | | 22 x 50; 1.14 | 25 x 40; 1.12 | 30 x 35; 1.21 | |
| 390 | | | 22 x 45; 1.41 | 25 x 35; 1.42 | 30 x 30; 1.50 | | | | 25 x 45; 1.31 | 30 x 35; 1.30 | 35 x 30; 1.23 |
| 470 | | | 22 x 50; 1.58 | 25 x 40; 1.61 | 30 x 30; 1.61 | | | | | 30 x 40; 1.53 | 35 x 35; 1.47 |
| 560 | | | | 25 x 45; 1.80 | 30 x 35; 1.84 | | | | | 30 x 45; 1.65 | 35 x 40; 1.66 |
| 680 | | | | 25 x 50; 2.03 | 30 x 40; 2.09 | 35 x 30; 1.96 | | | | | 35 x 45; 1.96 |
| 820 | | | | | 30 x 45; 2.35 | 35 x 35; 2.26 | | | | | 35 x 50; 2.19 |
| 1000 | | | | | 30 x 50; 2.64 | 35 x 40; 2.57 | | | | | |
| 1200 | | | | | | 35 x 45; 2.88 | | | | | |

| Cap (μ F) | WV D | 350 | | | | | 385 | | | | |
|-------------------|---------|---------------|---------------|---------------|---------------|---------------|---------------|---------------|---------------|---------------|---------------|
| | | 20 | 22 | 25 | 30 | 35 | 20 | 22 | 25 | 30 | 35 |
| 56 | | | | | | | 20 x 25; 0.37 | | | | |
| 68 | | 20 x 25; 0.41 | | | | | 20 x 30; 0.44 | 22 x 25; 0.45 | | | |
| 82 | | 20 x 30; 0.45 | | | | | 20 x 30; 0.50 | 22 x 30; 0.52 | | | |
| 100 | | 20 x 30; 0.51 | 22 x 25; 0.53 | | | | 20 x 35; 0.56 | 22 x 30; 0.58 | 25 x 25; 0.57 | | |
| 120 | | 20 x 35; 0.59 | 22 x 30; 0.61 | 25 x 25; 0.62 | | | 20 x 40; 0.66 | 22 x 35; 0.68 | 25 x 30; 0.68 | | |
| 150 | | 20 x 40; 0.70 | 22 x 35; 0.73 | 25 x 30; 0.73 | | | | 22 x 40; 0.79 | 25 x 30; 0.78 | 30 x 25; 0.75 | |
| 180 | | | 22 x 40; 0.83 | 25 x 30; 0.80 | 30 x 25; 0.81 | | | 22 x 45; 0.89 | 25 x 35; 0.86 | 30 x 30; 0.88 | |
| 220 | | | 22 x 45; 0.94 | 25 x 35; 0.92 | 30 x 30; 0.98 | | | 22 x 50; 1.01 | 25 x 40; 1.00 | 30 x 30; 1.00 | |
| 270 | | | 22 x 50; 1.07 | 25 x 40; 1.05 | 30 x 30; 1.03 | | | | 25 x 45; 1.13 | 30 x 40; 1.14 | 35 x 30; 1.10 |
| 330 | | | | 25 x 45; 1.24 | 30 x 35; 1.24 | 35 x 30; 1.18 | | | | 30 x 45; 1.31 | 35 x 35; 1.32 |
| 390 | | | | 25 x 50; 1.38 | 30 x 40; 1.39 | 35 x 35; 1.39 | | | | 30 x 50; 1.48 | 35 x 40; 1.48 |
| 470 | | | | | 30 x 45; 1.57 | 35 x 35; 1.50 | | | | | 35 x 45; 1.76 |
| 560 | | | | | 30 x 50; 1.75 | 35 x 40; 1.69 | | | | | 35 x 50; 1.95 |
| 680 | | | | | | 35 x 45; 1.96 | | | | | |

↑ ↑ リプル電流 Ripple Current A r.m.s./120Hz-105
 ケースサイズ Case Size $D^{\pm 1} \times L^{\pm 2}$ (mm)



大形アルミニウム電解コンデンサ

LARGE CAN TYPE ALUMINUM ELECTROLYTIC CAPACITORS

MXR

寸法一覧表, 定格リップル電流一覧表 STANDARD SIZE, RATED RIPPLE CURRENT

| Cap (μ F) | WV D | 400 | | | | | 420 | | | | | |
|-------------------|---------------|---------------|---------------|---------------|---------------|----|---------------|---------------|---------------|---------------|---------------|--|
| | | 20 | 22 | 25 | 30 | 35 | 20 | 22 | 25 | 30 | 35 | |
| 56 | 20 x 25; 0.40 | | | | | | 20 x 25; 0.40 | | | | | |
| 68 | 20 x 30; 0.48 | 22 x 25; 0.49 | | | | | 20 x 30; 0.48 | 22 x 25; 0.50 | | | | |
| 82 | 20 x 30; 0.54 | 22 x 30; 0.56 | | | | | 20 x 35; 0.53 | 22 x 30; 0.56 | 25 x 25; 0.56 | | | |
| 100 | 20 x 35; 0.60 | 22 x 30; 0.62 | 25 x 25; 0.61 | | | | 20 x 35; 0.58 | 22 x 30; 0.63 | 25 x 25; 0.63 | | | |
| 120 | 20 x 40; 0.71 | 22 x 35; 0.73 | 25 x 30; 0.73 | | | | 20 x 45; 0.71 | 22 x 35; 0.73 | 25 x 30; 0.72 | 30 x 25; 0.75 | | |
| 150 | | 22 x 40; 0.85 | 25 x 35; 0.85 | 30 x 25; 0.79 | | | | 22 x 45; 0.86 | 25 x 35; 0.83 | 30 x 25; 0.83 | | |
| 180 | | 22 x 45; 0.95 | 25 x 35; 0.92 | 30 x 30; 0.95 | | | | 22 x 50; 1.02 | 25 x 40; 0.94 | 30 x 30; 0.95 | 35 x 25; 0.90 | |
| 220 | | 22 x 50; 1.08 | 25 x 40; 1.05 | 30 x 35; 1.24 | | | | | 25 x 45; 1.13 | 30 x 35; 1.09 | 35 x 30; 1.05 | |
| 270 | | | 25 x 50; 1.29 | 30 x 40; 1.30 | 35 x 30; 1.18 | | | | 25 x 50; 1.37 | 30 x 40; 1.25 | 35 x 35; 1.25 | |
| 330 | | | | 30 x 45; 1.47 | 35 x 35; 1.41 | | | | | 30 x 45; 1.49 | 35 x 35; 1.42 | |
| 390 | | | | 30 x 50; 1.64 | 35 x 40; 1.59 | | | | | 30 x 50; 1.67 | 35 x 40; 1.61 | |
| 470 | | | | | 35 x 45; 1.87 | | | | | | 35 x 45; 1.86 | |
| 560 | | | | | 35 x 50; 2.09 | | | | | | | |

| Cap (μ F) | WV D | 450 | | | | |
|-------------------|---------------|---------------|---------------|---------------|---------------|----|
| | | 20 | 22 | 25 | 30 | 35 |
| 47 | 20 x 25; 0.36 | | | | | |
| 56 | 20 x 30; 0.41 | 22 x 25; 0.42 | | | | |
| 68 | 20 x 35; 0.47 | 22 x 30; 0.50 | 25 x 25; 0.50 | | | |
| 82 | 20 x 40; 0.53 | 22 x 35; 0.56 | 25 x 30; 0.57 | | | |
| 100 | | 22 x 40; 0.64 | 25 x 30; 0.63 | 30 x 25; 0.67 | | |
| 120 | | 22 x 45; 0.72 | 25 x 35; 0.71 | 30 x 30; 0.77 | | |
| 150 | | 22 x 50; 0.80 | 25 x 40; 0.82 | 30 x 30; 0.85 | | |
| 180 | | | 25 x 45; 0.93 | 30 x 35; 0.97 | | |
| 220 | | | 25 x 50; 1.05 | 30 x 40; 1.10 | 35 x 30; 1.01 | |
| 270 | | | | 30 x 45; 1.25 | 35 x 35; 1.26 | |
| 330 | | | | 30 x 50; 1.42 | 35 x 40; 1.44 | |
| 390 | | | | | 35 x 45; 1.61 | |
| 470 | | | | | 35 x 50; 1.80 | |

↑ ↑ リプル電流 Ripple Current A r.m.s./120Hz-105
 ケースサイズ Case Size D^{±1} × L^{±2}(mm)

リップル電流補正係数 MULTIPLIER FOR RIPPLE CURRENT

(1) 温度係数 Temperature coefficient

| 周囲温度() Ambient Temperature() | 105 | 85 | 65 |
|-----------------------------------|-----|-----|-----|
| 係数 Coefficient | 1.0 | 1.7 | 2.1 |

(2) 周波数係数 Frequency coefficient

| 周波数(Hz) Frequency | 60(50) | 120 | 500 | 1k | 10k | |
|------------------------|-------------|------|------|------|------|------|
| 係数 Coefficient | 10 ~ 100WV | 0.90 | 1.00 | 1.05 | 1.10 | 1.15 |
| | 160 ~ 250WV | 0.80 | 1.00 | 1.10 | 1.14 | 1.18 |
| | 315 ~ 450WV | 0.80 | 1.00 | 1.05 | 1.10 | 1.15 |