

MXC シリーズ  
SERIES

基板自立形105 小形品  
105 Miniaturized, Snap-in Terminal Type

特長 FEATURES

- 105 3000時間品。  
Load Life : 105 3000 hours.
- 従来のMXRシリーズを小形・高リプル化。  
Smaller size with higher ripple current endurance than MXR series.



規格表 SPECIFICATIONS

項目 Items	特性 Characteristics								
カテゴリ温度範囲 Category Temperature Range	- 25 ~ + 105								
定格電圧範囲 Rated Voltage Range	160 ~ 450V.DC								
静電容量許容差 Capacitance Tolerance	± 20% ( 20 , 120Hz )								
漏れ電流 Leakage Current(MAX)	$I = 3\sqrt{CV}$ ( 定格電圧印加5分後 ) $I = 3\sqrt{CV}$ ( After 5 minutes application of rated voltage ) I = 漏れ電流 ( $\mu$ A )      V = 定格電圧 ( V )      C = 定格静電容量 ( $\mu$ F ) Leakage Current      Rated Voltage      Rated Capacitance								
損失角の正接 ( tan ) Dissipation Factor(MAX)	<table border="1"> <tr> <td>定格電圧 ( V ) Rated Voltage</td> <td>160 ~ 400</td> <td>420 ~ 450</td> <td rowspan="2">( 20 , 120Hz )</td> </tr> <tr> <td>tan</td> <td>0.15</td> <td>0.20</td> </tr> </table>	定格電圧 ( V ) Rated Voltage	160 ~ 400	420 ~ 450	( 20 , 120Hz )	tan	0.15	0.20	
定格電圧 ( V ) Rated Voltage	160 ~ 400	420 ~ 450	( 20 , 120Hz )						
tan	0.15	0.20							
インピーダンス比 Impedance Ratio(MAX)	<table border="1"> <tr> <td>定格電圧 ( V ) Rated Voltage</td> <td>160 ~ 250</td> <td>315 ~ 450</td> <td rowspan="2">( 120Hz )</td> </tr> <tr> <td>( Z ( - 25 ) / Z ( 20 ) )</td> <td>3</td> <td>8</td> </tr> </table>	定格電圧 ( V ) Rated Voltage	160 ~ 250	315 ~ 450	( 120Hz )	( Z ( - 25 ) / Z ( 20 ) )	3	8	
定格電圧 ( V ) Rated Voltage	160 ~ 250	315 ~ 450	( 120Hz )						
( Z ( - 25 ) / Z ( 20 ) )	3	8							
耐久性 Endurance	105 中で3000時間定格電圧 ( リプル重畳 ) 印加後、下記項目を満足すること After applying rated voltage with rated ripple current for 3000hrs at 105 , the capacitors shall meet the following requirements.								
	<table border="1"> <tr> <td>静電容量変化率 Capacitance Change</td> <td>初期値の ± 20% 以内 Within ± 20% of the initial value.</td> </tr> <tr> <td>損失角の正接 Dissipation Factor</td> <td>規格値の200%以下 Not more than 200% of the specified value.</td> </tr> <tr> <td>漏れ電流 Leakage Current</td> <td>規格値以下 Not more than the specified value.</td> </tr> </table>	静電容量変化率 Capacitance Change	初期値の ± 20% 以内 Within ± 20% of the initial value.	損失角の正接 Dissipation Factor	規格値の200%以下 Not more than 200% of the specified value.	漏れ電流 Leakage Current	規格値以下 Not more than the specified value.		
静電容量変化率 Capacitance Change	初期値の ± 20% 以内 Within ± 20% of the initial value.								
損失角の正接 Dissipation Factor	規格値の200%以下 Not more than 200% of the specified value.								
漏れ電流 Leakage Current	規格値以下 Not more than the specified value.								

品番呼称方法 EXPLANATION OF PART NUMBER

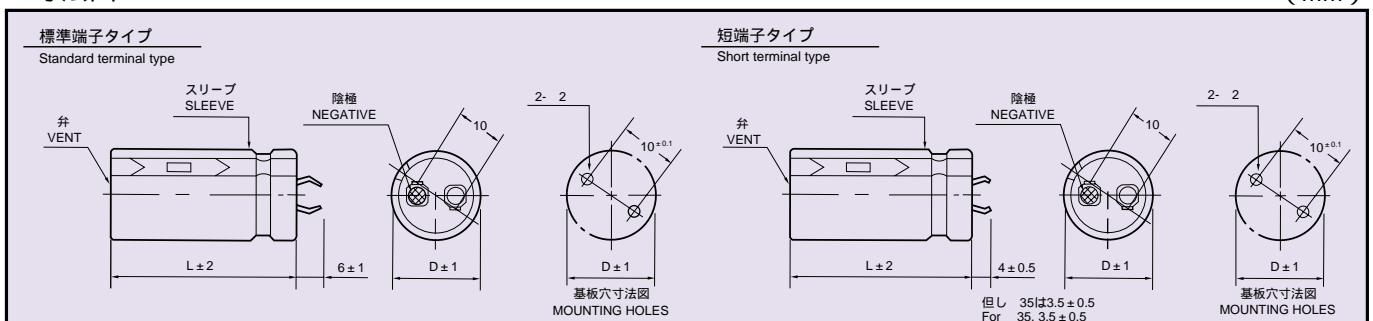
定格電圧 Rated Voltage	MXC シリーズ名 Series	定格静電容量 Rated Capacitance	静電容量許容差 Capacitance Tolerance	副記号 Option	端子記号 Terminal Code	D x L ケースサイズ Case Size
-----------------------	------------------------	-----------------------------	----------------------------------	---------------	-----------------------	------------------------------

端子記号 Terminal Code

	記号 Code
標準端子 Standard Terminal	なし Blank
短端子 Short Terminal	ST

寸法図 DIMENSIONS

( mm )





# 大形アルミニウム電解コンデンサ

## LARGE CAN TYPE ALUMINUM ELECTROLYTIC CAPACITORS

MXC

寸法一覧表, 定格リップル電流一覧表 STANDARD SIZE, RATED RIPPLE CURRENT

Cap ( $\mu$ F)	WV D	160					180					
		20	22	25	30	35	20	22	25	30	35	
270		20 x 25; 1.10					20 x 25; 0.93					
330		20 x 30; 1.20	22 x 25; 1.21				20 x 30; 1.20	22 x 25; 1.20				
390		20 x 30; 1.24	22 x 25; 1.30				20 x 35; 1.30	22 x 30; 1.35				
470		20 x 35; 1.42	22 x 30; 1.41				20 x 40; 1.40	22 x 35; 1.42	25 x 25; 1.38			
560		20 x 40; 1.57	22 x 35; 1.54	25 x 25; 1.51			20 x 45; 1.55	22 x 40; 1.60	25 x 30; 1.55			
680		20 x 45; 1.70	22 x 40; 1.74	25 x 30; 1.74	30 x 25; 1.74			22 x 45; 1.78	25 x 35; 1.78	30 x 25; 1.55		
820			22 x 45; 2.00	25 x 35; 2.00	30 x 30; 2.00			22 x 50; 2.00	25 x 40; 2.00	30 x 30; 2.00	35 x 25; 2.00	
1000			22 x 50; 2.25	25 x 40; 2.25	30 x 30; 2.25	35 x 25; 2.25			25 x 45; 2.25	30 x 35; 2.25	35 x 30; 2.26	
1200				25 x 45; 2.49	30 x 35; 2.49	35 x 30; 2.45			25 x 50; 2.54	30 x 40; 2.52	35 x 30; 2.60	
1500					30 x 40; 2.84	35 x 30; 2.68				30 x 45; 2.90	35 x 35; 2.95	
1800					30 x 45; 3.32	35 x 35; 3.00				30 x 50; 3.00	35 x 40; 3.30	
2200						35 x 45; 3.50					35 x 50; 3.65	
2700						35 x 50; 4.00						

Cap ( $\mu$ F)	WV D	200					220					
		20	22	25	30	35	20	22	25	30	35	
180							20 x 25; 0.86					
220		20 x 25; 1.00					20 x 30; 1.04	22 x 25; 0.99				
270		20 x 30; 1.10	22 x 25; 1.10				20 x 30; 1.08	22 x 25; 1.04				
330		20 x 30; 1.15	22 x 30; 1.25				20 x 35; 1.30	22 x 30; 1.32	25 x 25; 1.26			
390		20 x 35; 1.25	22 x 30; 1.31	25 x 25; 1.31			20 x 40; 1.45	22 x 35; 1.42	25 x 30; 1.45			
470		20 x 40; 1.42	22 x 35; 1.45	25 x 30; 1.45			20 x 45; 1.63	22 x 40; 1.67	25 x 30; 1.54	30 x 25; 1.48		
560			22 x 40; 1.60	25 x 30; 1.60	30 x 25; 1.60			22 x 45; 1.77	25 x 35; 1.66	30 x 30; 1.65		
680			22 x 45; 1.75	25 x 35; 1.78	30 x 30; 1.78				25 x 40; 1.87	30 x 30; 1.82	35 x 25; 1.78	
820			22 x 50; 1.95	25 x 40; 1.95	30 x 30; 2.00				25 x 45; 2.04	30 x 35; 2.00	35 x 30; 1.93	
1000				25 x 45; 2.10	30 x 35; 2.30	35 x 30; 2.30				30 x 40; 2.48	35 x 35; 2.33	
1200					30 x 40; 2.64	35 x 35; 2.65				30 x 45; 2.88	35 x 40; 2.65	
1500					30 x 50; 3.08	35 x 40; 3.08					35 x 45; 2.96	
1800						35 x 45; 3.48					35 x 50; 3.39	
2200						35 x 50; 3.55						

Cap ( $\mu$ F)	WV D	250					315					
		20	22	25	30	35	20	22	25	30	35	
82							20 x 25; 0.64					
100							20 x 30; 0.69	22 x 25; 0.62				
120							20 x 30; 0.75	22 x 25; 0.75	25 x 25; 0.76			
150							20 x 35; 0.82	22 x 30; 0.82	25 x 25; 0.82			
180							20 x 40; 0.90	22 x 35; 0.92	25 x 25; 0.90			
220		20 x 30; 1.00	22 x 25; 1.00				20 x 50; 1.00	22 x 40; 1.04	25 x 30; 1.04	30 x 25; 1.04		
270		20 x 35; 1.10	22 x 30; 1.15					22 x 45; 1.16	25 x 35; 1.15	30 x 25; 1.15	35 x 25; 1.15	
330		20 x 40; 1.20	22 x 35; 1.28					22 x 50; 1.22	25 x 40; 1.23	30 x 30; 1.33	35 x 25; 1.32	
390		20 x 45; 1.35	22 x 40; 1.49	25 x 30; 1.35	30 x 25; 1.49				25 x 45; 1.40	30 x 35; 1.47	35 x 30; 1.47	
470			22 x 45; 1.60	25 x 35; 1.57	30 x 30; 1.65					30 x 40; 1.70	35 x 30; 1.70	
560			22 x 50; 1.72	25 x 40; 1.80	30 x 30; 1.80					30 x 45; 2.05	35 x 35; 1.90	
680				25 x 45; 1.85	30 x 35; 2.00	35 x 30; 2.00				30 x 50; 2.14	35 x 40; 2.17	
820				25 x 50; 2.10	30 x 40; 2.18	35 x 35; 2.30					35 x 45; 2.20	
1000					30 x 45; 2.40	35 x 35; 2.35						
1200						35 x 40; 2.50						
1500						35 x 50; 3.00						

Cap ( $\mu$ F)	WV D	350					385					
		20	22	25	30	35	20	22	25	30	35	
56							20 x 25; 0.42					
68		20 x 25; 0.47					20 x 30; 0.47	22 x 25; 0.49				
82		20 x 30; 0.55					20 x 30; 0.52	22 x 25; 0.55				
100		20 x 30; 0.60	22 x 25; 0.69				20 x 35; 0.60	22 x 30; 0.66	25 x 25; 0.66			
120		20 x 35; 0.70	22 x 30; 0.75	25 x 25; 0.75			20 x 40; 0.68	22 x 35; 0.71	25 x 25; 0.71			
150		20 x 40; 0.78	22 x 35; 0.82	25 x 30; 0.83				22 x 40; 0.83	25 x 30; 0.83	30 x 25; 0.77		
180		20 x 45; 0.88	22 x 40; 0.92	25 x 30; 0.92	30 x 25; 0.92			22 x 45; 0.92	25 x 35; 0.92	30 x 30; 0.89		
220			22 x 45; 1.05	25 x 35; 1.05	30 x 30; 1.02			22 x 50; 1.03	25 x 40; 1.03	30 x 30; 1.01	35 x 25; 1.03	
270			22 x 50; 1.18	25 x 40; 1.18	30 x 30; 1.18	35 x 25; 1.20			25 x 45; 1.14	30 x 35; 1.15	35 x 30; 1.13	
330				25 x 45; 1.30	30 x 35; 1.35	35 x 30; 1.22				30 x 40; 1.32	35 x 30; 1.35	
390				25 x 50; 1.45	30 x 40; 1.52	35 x 35; 1.48				30 x 45; 1.46	35 x 35; 1.50	
470					30 x 45; 1.65	35 x 35; 1.70				30 x 50; 1.72	35 x 40; 1.79	
560					30 x 50; 1.85	35 x 40; 1.90					35 x 45; 1.99	
680						35 x 45; 2.00						

↑ リプル電流 Ripple Current A r.m.s./120Hz:105  
↑ ケースサイズ Case Size D<sup>±1</sup> × L<sup>±2</sup>(mm)



# 大形アルミニウム電解コンデンサ

## LARGE CAN TYPE ALUMINUM ELECTROLYTIC CAPACITORS

MXC

寸法一覧表, 定格リップル電流一覧表 STANDARD SIZE, RATED RIPPLE CURRENT

Cap ( $\mu$ F)	WV D	400					420				
		20	22	25	30	35	20	22	25	30	35
47											
56		20 x 25; 0.51					20 x 25; 0.44				
68		20 x 30; 0.56	22 x 25; 0.52				20 x 30; 0.49	22 x 25; 0.51			
82		20 x 30; 0.64	22 x 25; 0.64				20 x 35; 0.54	22 x 30; 0.65	25 x 25; 0.65		
100		20 x 35; 0.70	22 x 30; 0.70	25 x 25; 0.70			20 x 35; 0.61	22 x 30; 0.68	25 x 25; 0.67		
120		20 x 40; 0.75	22 x 35; 0.75	25 x 25; 0.75			20 x 40; 0.70	22 x 35; 0.73	25 x 30; 0.76	30 x 25; 0.81	
150		20 x 45; 0.83	22 x 40; 0.88	25 x 30; 0.88	30 x 25; 0.82		20 x 45; 0.78	22 x 40; 0.86	25 x 35; 0.87	30 x 25; 0.84	
180			22 x 45; 0.98	25 x 35; 0.98	30 x 30; 0.95			22 x 45; 0.96	25 x 35; 0.95	30 x 30; 0.97	35 x 25; 0.91
220			22 x 50; 1.10	25 x 40; 1.10	30 x 30; 1.10	35 x 25; 1.10			25 x 40; 1.08	30 x 35; 1.14	35 x 30; 1.07
270				25 x 45; 1.21	30 x 35; 1.22	35 x 30; 1.22			25 x 50; 1.38	30 x 35; 1.20	35 x 35; 1.29
330					30 x 40; 1.44	35 x 30; 1.44				30 x 40; 1.37	35 x 35; 1.44
390					30 x 45; 1.55	35 x 35; 1.60				30 x 45; 1.50	35 x 40; 1.63
470						35 x 40; 1.90					35 x 45; 1.88
560						35 x 45; 2.12					

Cap ( $\mu$ F)	WV D	450				
		20	22	25	30	35
47		20 x 25; 0.39				
56		20 x 30; 0.51	22 x 25; 0.44			
68		20 x 35; 0.56	22 x 30; 0.53			
82		20 x 35; 0.64	22 x 30; 0.64	25 x 25; 0.64		
100		20 x 45; 0.69	22 x 35; 0.69	25 x 30; 0.69	30 x 25; 0.69	
120		20 x 50; 0.75	22 x 40; 0.75	25 x 30; 0.75	30 x 25; 0.80	
150			22 x 45; 0.88	25 x 35; 0.88	30 x 30; 0.88	35 x 25; 0.75
180				25 x 40; 0.95	30 x 30; 1.00	35 x 30; 0.86
220				25 x 45; 1.10	30 x 35; 1.12	35 x 30; 1.05
270					30 x 40; 1.28	35 x 35; 1.27
330					30 x 50; 1.45	35 x 40; 1.45
390						35 x 40; 1.65
470						35 x 50; 1.85

↑ リプル電流 Ripple Current A r.m.s./120Hz·105  
 ↑ ケースサイズ Case Size  $D^{\pm 1} \times L^{\pm 2}$ (mm)

### リップル電流補正係数 MULTIPLIER FOR RIPPLE CURRENT

(1) 温度係数 Temperature coefficient

周囲温度( ) Ambient Temperature( )	105	85	65
係数 Coefficient	1.0	1.7	2.1

(2) 周波数係数 Frequency coefficient

周波数( Hz ) Frequency	60( 50 )	120	500	1k	10k	
係数 Coefficient	160 ~ 250WV	0.80	1.00	1.20	1.30	1.50
	315 ~ 450WV	0.80	1.00	1.20	1.25	1.40