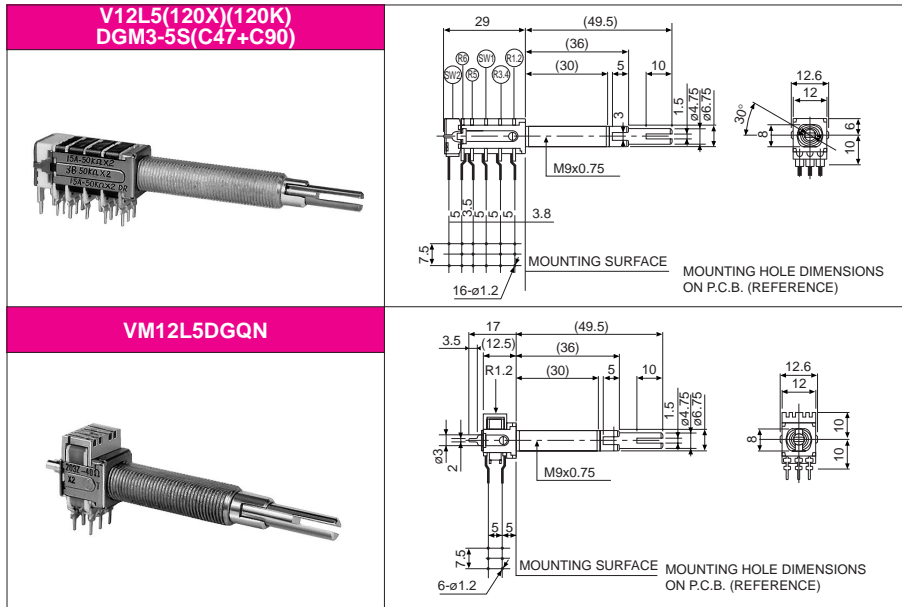
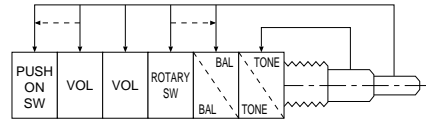


Multi-Section Potentiometer for Car-Audio

V12L5 Series



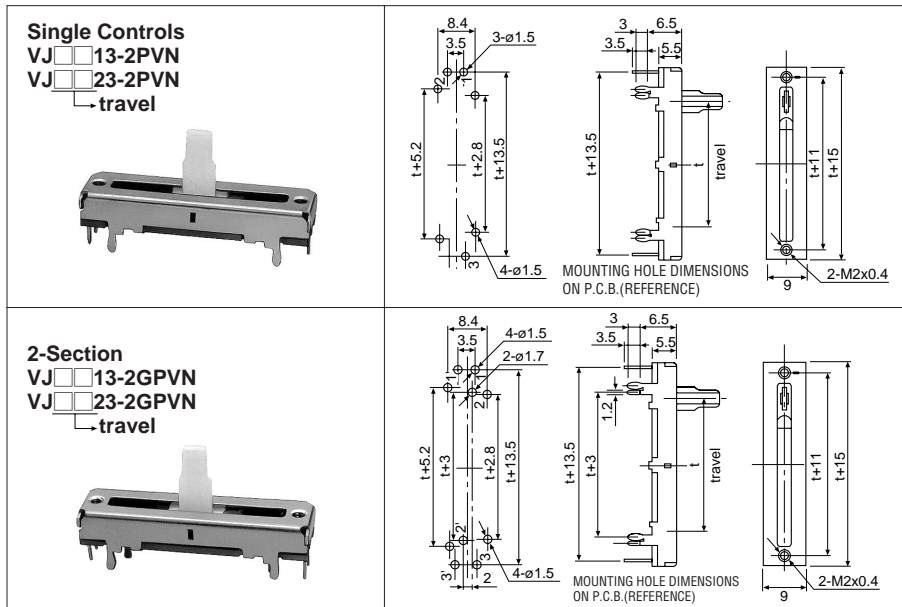
Pull - balance



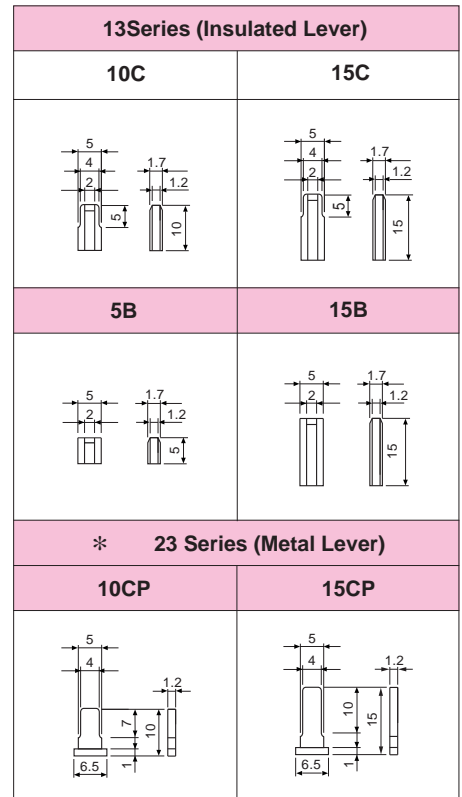
Fader Control with Tuning Shaft

Rotational Angle	180±5°
Rotational Torque	3-35mN-m(31-357gf-cm)
Resistance Range	20Ω-200Ω
Rated Power	2.5WDC(8Ω load)
Rated Voltage	DC 9V

Low Profile Slide Potentiometer 13, 23 Series



"t" in outline drawings denotes a travel.



Travel	Function	Model	Sliding Force	Resistance Range	Rated Power	Rated Voltage	f (mm)
15mm	Single	VJ1513-2PVN *VJ1523-2PVN	0.5-3.5N (51-357gf)	1kΩ-1MΩ(taper B)	0.05W(taper B)	AC 100V,DC 10V(taper B)	15
	2-section	VJ1513-2GPVN *VJ1523-2GPVN		2kΩ-500kΩ(other taper)	0.025W(other taper)	AC 50V,DC 10V(other taper)	
20mm	Single	VJ2013-2PVN *VJ2023-2PVN	0.5-3.5N (51-357gf)	1kΩ-1MΩ(taper B)	0.06W(taper B)	AC 150V,DC 10V(taper B)	20
	2-section	VJ2013-2GPVN *VJ2023-2GPVN		2kΩ-500kΩ(other taper)	0.03W(other taper)	AC 100V,DC 10V(other taper)	
30mm	Single	VJ3013-2PVN *VJ3023-2PVN	0.5-3.5N (51-357gf)	2kΩ-1MΩ(taper B)	0.1W(taper B)	AC 200V,DC 10V(taper B)	30
	2-section	VJ3013-2GPVN *VJ3023-2GPVN		3kΩ-1MΩ(other taper)	0.05W(other taper)	AC 150V,DC 10V(other taper)	
45mm	Single	VJ4513-2PVN *VJ4523-2PVN	0.5-3.5N (51-357gf)	2kΩ-1MΩ(taper B)	0.1W	AC 200V,DC 10V(taper B)	45
	2-section	VJ4513-2GPVN *VJ4523-2GPVN		5kΩ-1MΩ(other taper)		AC 150V,DC 10V(other taper)	
60mm	Single	VJ6013-2PVN *VJ6023-2PVN	0.5-3.5N (51-357gf)	2kΩ-1MΩ(taper B)	0.2W	AC 250V,DC 10V(taper B)	60
	2-section	VJ6013-2GPVN *VJ6023-2GPVN		5kΩ-1MΩ(other taper)		AC 180V,DC 10V(other taper)	