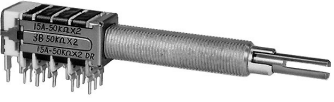
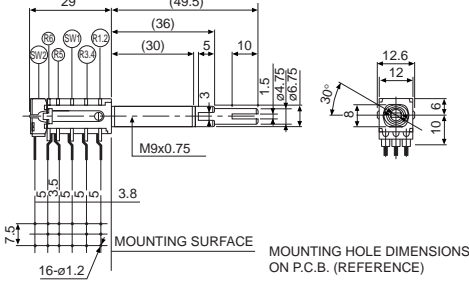

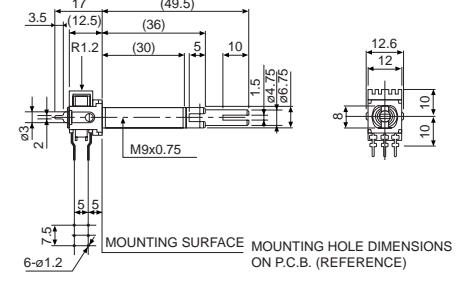
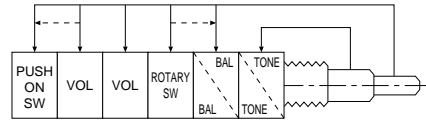


# Multi-Section Potentiometer for Car-Audio

# V12L5 Series

<p><b>V12L5(120X)(120K) DGM3-5S(C47+C90)</b></p> 	
<p><b>VM12L5DGQN</b></p> 	

**Pull - balance**

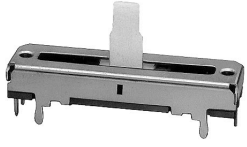
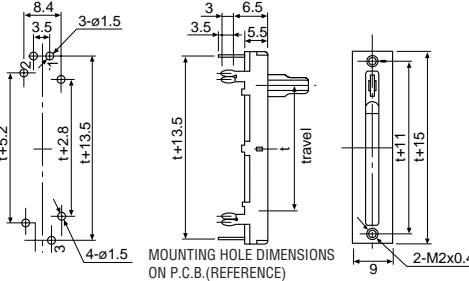
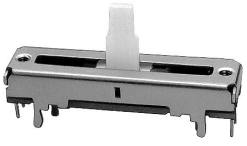
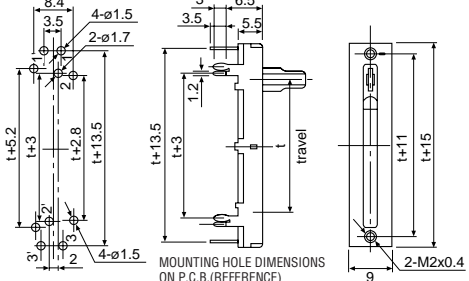


**Fader Control with Tuning Shaft**

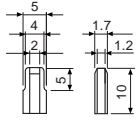
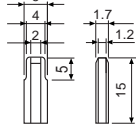
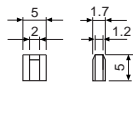
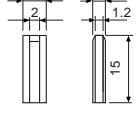
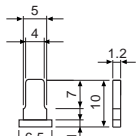
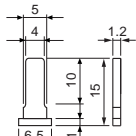
Rotational Angle	180±5°
Rotational Torque	3~35mN·m(31-357gf·cm)
Resistance Range	20Ω-200Ω
Rated Power	2.5WDC(8Ω load)
Rated Voltage	DC 9V

• Other combinations of functions also available. Feel free to consult us.

# Low Profile Slide Potentiometer 13, 23 Series

<p><b>Single Controls</b> VJ □ 13-2PVN VJ □ 23-2PVN travel</p> 	
<p><b>2-Section</b> VJ □ 13-2GPVN VJ □ 23-2GPVN travel</p> 	

"t" in outline drawings denotes a travel.

13Series (Insulated Lever)	
<b>10C</b>	<b>15C</b>
	
<b>5B</b>	<b>15B</b>
	
* 23 Series (Metal Lever)	
<b>10CP</b>	<b>15CP</b>
	

Travel	Function	Model	Sliding Force	Resistance Range	Rated Power	Rated Voltage	f (mm)
15mm	Single	VJ1513-2PVN *VJ1523-2PVN	0.5~3.5N	1kΩ~1MΩ(taper B)	0.05W(taper B)	AC 100V,DC 10V(taper B)	15
	2-section	VJ1513-2GPVN *VJ1523-2GPVN	(51-357gf)	2kΩ~500kΩ(other taper)	0.025W(other taper)	AC 50V,DC 10V(other taper)	
20mm	Single	VJ2013-2PVN *VJ2023-2PVN	0.5~3.5N	1kΩ~1MΩ(taper B)	0.06W(taper B)	AC 150V,DC 10V(taper B)	20
	2-section	VJ2013-2GPVN *VJ2023-2GPVN	(51-357gf)	2kΩ~500kΩ(other taper)	0.03W(other taper)	AC 100V,DC 10V(other taper)	
30mm	Single	VJ3013-2PVN *VJ3023-2PVN	0.5~3.5N	2kΩ~1MΩ(taper B)	0.1W(taper B)	AC 200V,DC 10V(taper B)	30
	2-section	VJ3013-2GPVN *VJ3023-2GPVN	(51-357gf)	3kΩ~1MΩ(other taper)	0.05W(other taper)	AC 150V,DC 10V(other taper)	
45mm	Single	VJ4513-2PVN *VJ4523-2PVN	0.5~3.5N	2kΩ~1MΩ(taper B)	0.1W	AC 200V,DC 10V(taper B)	45
	2-section	VJ4513-2GPVN *VJ4523-2GPVN	(51-357gf)	5kΩ~1MΩ(other taper)		AC 150V,DC 10V(other taper)	
60mm	Single	VJ6013-2PVN *VJ6023-2PVN	0.5~3.5N	2kΩ~1MΩ(taper B)	0.2W	AC 250V,DC 10V(taper B)	60
	2-section	VJ6013-2GPVN *VJ6023-2GPVN	(51-357gf)	5kΩ~1MΩ(other taper)		AC 180V,DC 10V(other taper)	