


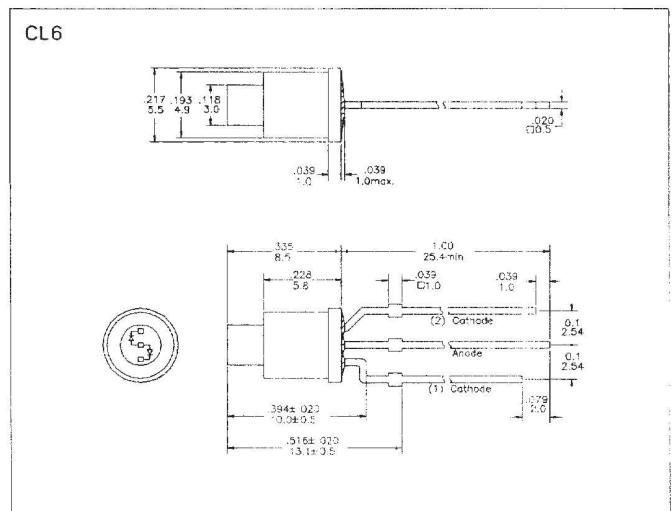
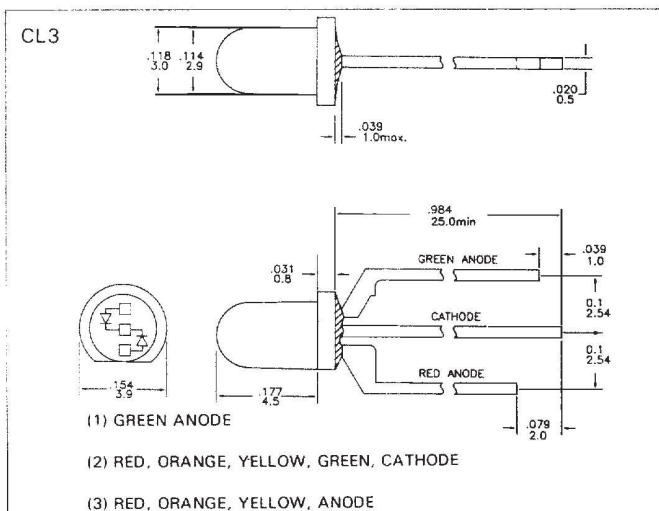
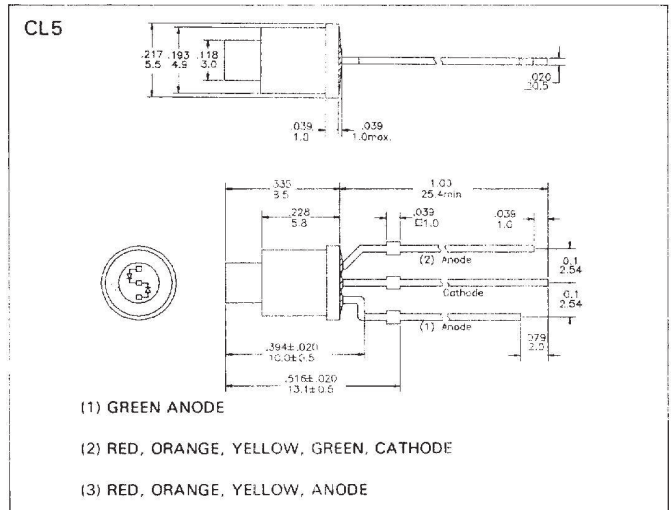
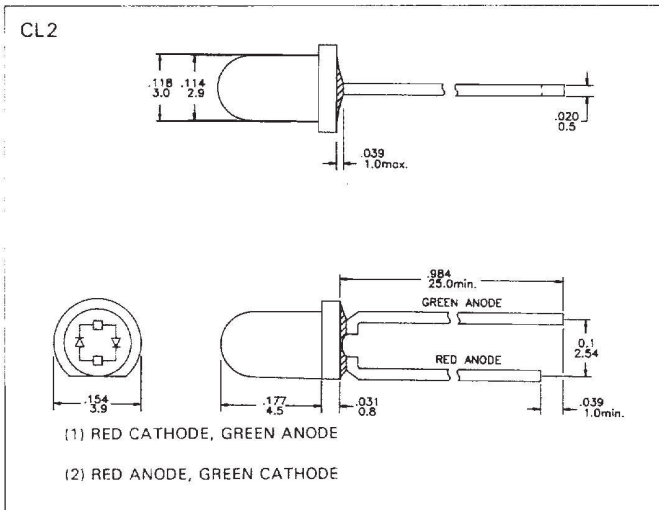
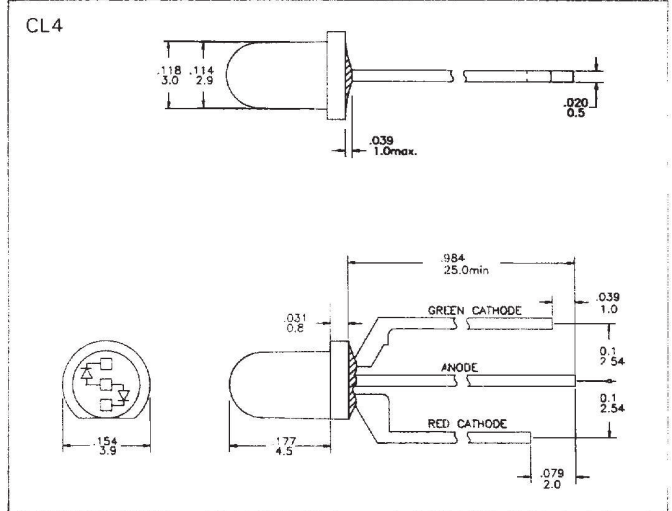
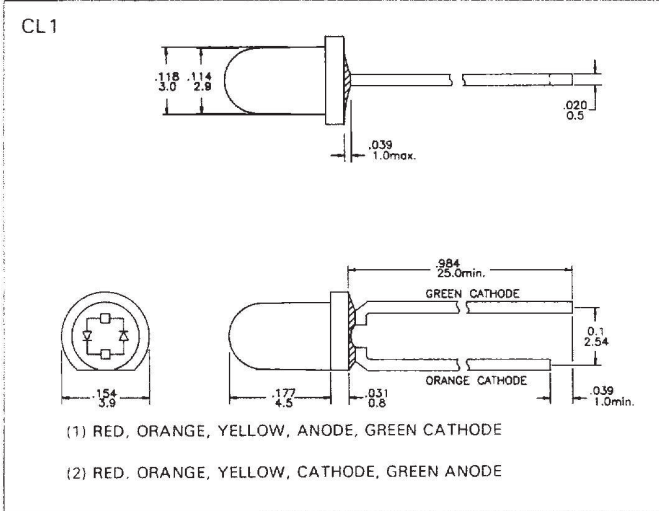


Bi-color LED Lamp

* I_v unit = mcd @ I_F = 10 mA. CSL-FxxxDM2HT are @ I_F = 20 mA. All the lens are white diffused.

Device Package Outline	Bright Red/Green (HG) λ _p = 695/570 nm	Orange/Green (EG) λ _p = 635/570 nm	Yellow/Green (YG) λ = 590/570 nm	Super Bright/ Bright Green (DM) λ _p = 660/570 nm
	I _v / 2Θ1/2	I _v / 2Θ1/2	I _v / 2Θ1/2	I _v / 2Θ1/2
φ3.0 	CSL-F300HG2NG	CSL-F300EG2NG	CSL-F300YG2NG	CSL-F300DM2NG
	Seperate Polarity	Seperate Polarity	Seperate Polarity	Seperate Polarity
	1.5/6.0/40	8.0/6.0/40°	6.0/6.0/40°	18.0/13.0/40°
	CL1, CL101(P.113)	CL1, CL101(P.113)	CL1, CL101(P.113)	CL2, CL101(P.113)
φ3.0 	CSL-F300HG2CT	CSL-F300EG2CT	CSL-300YG2CT	CSL-300DM2CT
	Common Cathode	Common Cathode	Common Cathode	Common Anode
	2.5/10/40°	12.0/9.0/40°	10/10/40°	60/30/40°
	CL3, CL102(P.113)	CL3, CL102(P.113)	CL3, CL102(P.113)	CL4, CL102(P.113)
φ3.0 	CSL-F330HG2HT	CSL-F330EG2HT	CSL-F330YG2HT	CSL-F330DM2HT
	Common Cathode	Common Cathode	Common Cathode	Common Anode
	3.0/2.5	3.0/2.5	2.5/2.5	7.8/5.5
	CL5, CL103(P.113)	CL5, CL103(P.113)	CL5, CL103(P.113)	CL6, CL103(P.113)



NOTE:1.All dimensions are in millimeters(inches).
 2.Tolerance is $\pm 0.25\text{mm}(0.010")$ unless otherwise noted.