

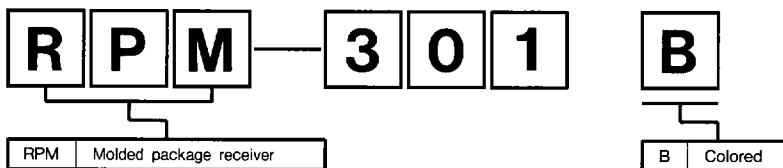
PIN Photodiodes (RPM)

ROHM photodiodes are PIN diode chips, featuring fast and linear response.

Package	Part No.	Feature	Visible ray cut	Absolute maximum ratings				Standard Characteristics				Basic ordering unit	Rank
				V_R (V)	Pd (mW)	I_D Max. (nA)	V_R (V)	I_{sc} (nA)	E_s ($\mu W/cm^2$)	λ_p (nm)	$\theta_{1/2}$ (deg)		
Side view resin	RPM-301B	Visible ray cut	860nm	32	150	10	10	520	20	1000	40	1,000	◎

◎ : Standard products

●Product Designation



(Unit : mm)

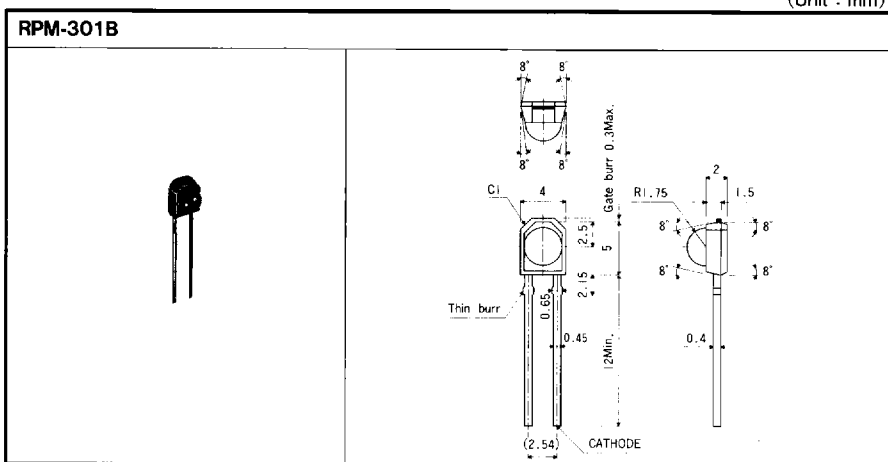


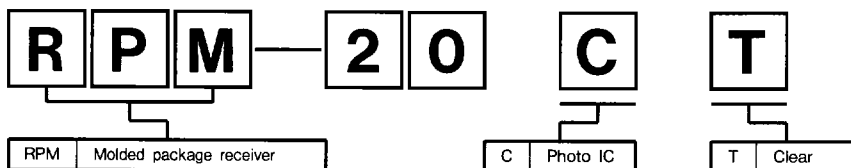
Photo ICs (RPM)

ROHM photo ICs can be driven at low voltage and thus best suitable for small, high resolution sets.

Package	Part No.	Feature	Absolute maximum ratings			Standard Characteristics					Output mode	Basic ordering unit	Rank
			V_{CC} (V)	I_o (mA)	Pd (mW)	V_{OL} (V)	E_{oLH} ($\mu W/cm^2$)	T_{PLH} (μs)	T_{PLH} (ns)	tr, tf (ns)			
Side view resin	RPM-20CT	Photo IC type	17	20	250	0.14	23	1.6	700	100	Dark ON	2,000	◎

◎ : Standard products

●Product Designation



(Unit : mm)

