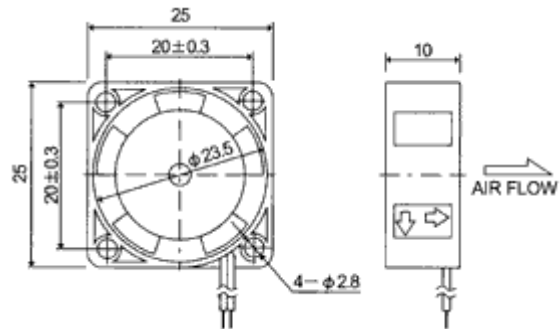


# Fan

Axial Fan

25□~10mm

Lead Wire □@AWG 28



| Type      | Rated Voltage (V) | Rated Current (A) |       | Max Air Flow        |     | Max Air Pressure |       | noise*1 (dBA) |     | Speed (min <sup>-1</sup> ) | Life Expectanc (20□Ž)(h) |
|-----------|-------------------|-------------------|-------|---------------------|-----|------------------|-------|---------------|-----|----------------------------|--------------------------|
|           |                   | Locked            | Moved | m <sup>3</sup> /min | CFM | Pa               | mmH2O | Max           | Typ |                            |                          |
| MF25A05   | 5                 | 0.20              | 0.07  | 0.022               | 0.8 | 9.8              | 1.00  | 13            | 10  | 6,000                      | 30,00                    |
| MF25A05H  | 5                 | 0.22              | 0.085 | 0.027               | 1.0 | 16.7             | 1.70  | 18            | 13  | 7,700                      | 30,00                    |
| MF25A12   | 12                | 0.20              | 0.06  | 0.032               | 1.1 | 22.6             | 2.31  | 24            | 18  | 9,500                      | 30,00                    |
| MFB25A05  | 5                 | 0.20              | 0.07  | 0.027               | 1.0 | 16.7             | 1.70  | 22            | 15  | 7,700                      | 50,00                    |
| MFB25A05H | 5                 | 0.22              | 0.085 | 0.032               | 1.1 | 22.6             | 2.31  | 25            | 17  | 8,500                      | 50,00                    |
| MFB25A12  | 12                | 0.20              | 0.06  | 0.038               | 1.3 | 31.4             | 3.20  | 29            | 22  | 10,600                     | 50,00                    |
| SF25A05   | 5                 | 0.22              | 0.07  | 0.022               | 0.8 | 9.8              | 1.00  | 9             | 5   | 6,000                      | 30,00                    |
| SF25A05H  | 5                 | 0.25              | 0.09  | 0.027               | 1.0 | 16.7             | 1.70  | 15            | 9   | 7,700                      | 30,00                    |
| SF25A12   | 12                | 0.20              | 0.04  | 0.027               | 1.0 | 16.7             | 1.70  | 15            | 9   | 7,700                      | 30,00                    |
| SFB25A05  | 5                 | 0.22              | 0.06  | 0.027               | 1.0 | 16.7             | 1.70  | 15            | 10  | 7,700                      | 50,00                    |
| SFB25A05H | 5                 | 0.25              | 0.08  | 0.032               | 1.1 | 22.6             | 2.31  | 23            | 15  | 8,500                      | 50,00                    |
| SFB25A12  | 12                | 0.20              | 0.04  | 0.029               | 1.0 | 19.6             | 2.00  | 20            | 14  | 8,400                      | 50,00                    |

□| Operating Temperture □i□Ž□j -10 □` +60

□| Operating Voltage □iV□j 5V: 4.5 □` 5.5 12V: 10.2 □` 13.8