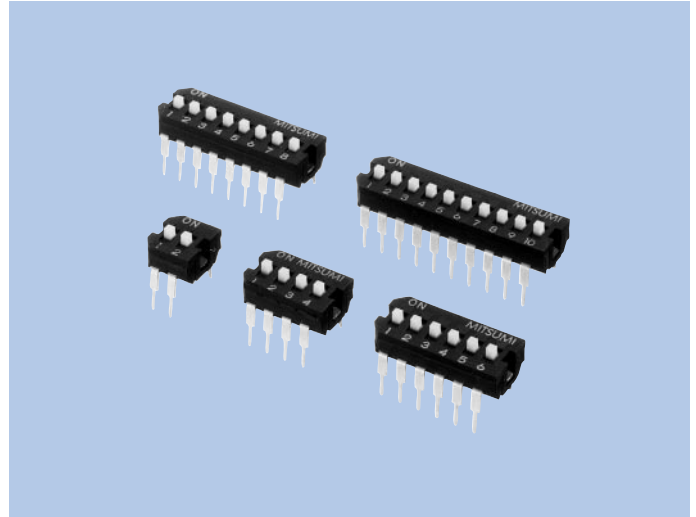


# DIP Switches SCS Series

## FEATURES

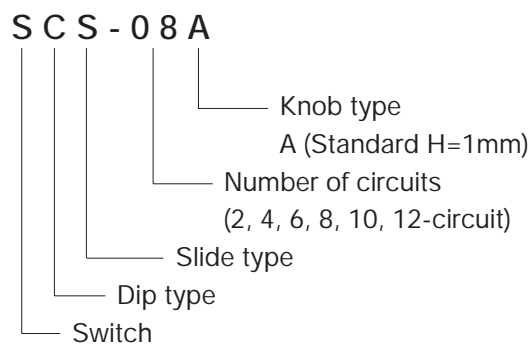
1. 2.54mm pitch DIP type slide operation.
2. Insert molding base permits auto-dipping.
3. High reliability for micro current circuits due to using gold plated contact and high pressure and wiping structure of contact.
4. Please consult us about washing condition.



## USES

1. Function setting switches for computers, printers and peripheral equipments.
2. Numerical setting in digital equipments.
3. Frequency presetting in wireless telephones.

## MODEL NAME CODE



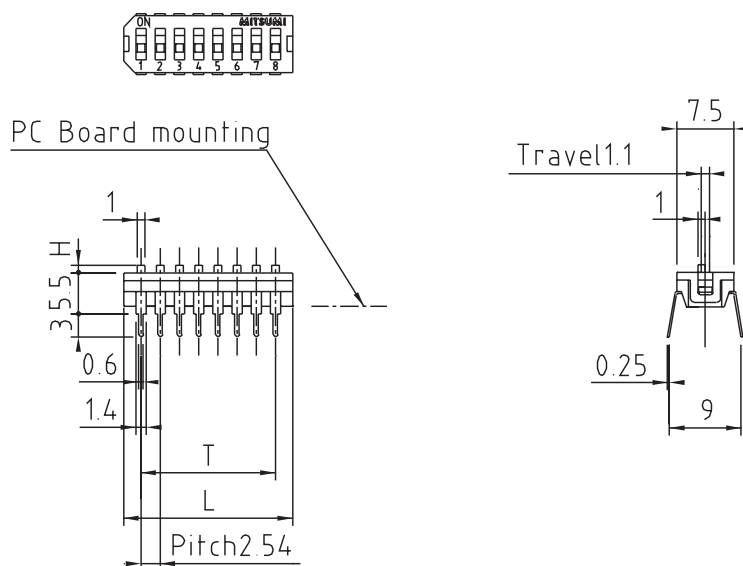
## SPECIFICATIONS

Electrical Characteristics	Rating	Switching	25mA, 24V DC
		Non switching	100mA, 50V DC
	Contact Resistance		50mΩ or less
	Insulation Resistance		100MΩ or more
	Withstand Voltage		1 minute at 300V AC
Mechanical Characteristics	Operating Force		7.85N (800gf) or less
Life			1,000cycles

## TYPE

Model Name Code	Order Number	No. of Poles	Remarks
SCS-02A	R66 3331	2	Standard type
SCS-04A	R66 3245	4	
SCS-06A	R66 3342	6	
SCS-08A	R66 3246	8	
SCS-10A	R66 3343	10	
SCS-12A	R66 4754	12	H=1mm

## DIMENSIONS



Model Name Code	T	L
SCS-02A	2.54	7.14
SCS-04A	7.62	12.22
SCS-06A	12.70	17.30
SCS-08A	17.78	22.38
SCS-10A	22.86	27.46
SCS-12A	27.94	32.54

Unit : mm  
 ☆ Tolerance : ±0.3mm