

SH-030SA

OUTPUT : 0.05W ~ 1.5W (APPROX)

カーボンブラシ | Carbon-brush motors | 碳精电刷

代表的用途 玩具・模型

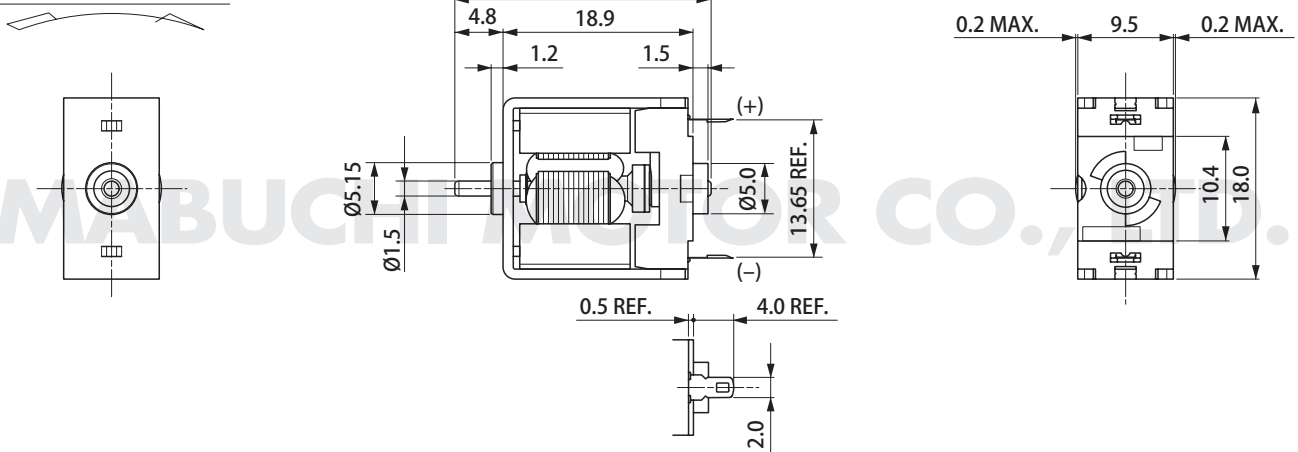
Typical Applications Toys and Models

主要用途 玩具、模型

WEIGHT : 11g (APPROX)

MODEL	VOLTAGE		NO LOAD		AT MAXIMUM EFFICIENCY				STALL			
	OPERATING RANGE	NOMINAL	SPEED	CURRENT	SPEED	CURRENT	TORQUE		OUTPUT	TORQUE		CURRENT
			r/min	A	r/min	A	mN·m	g·cm	W	mN·m	g·cm	A
SH-030SA-08240	6~12	12V CONSTANT	22300	0.080	16730	0.24	0.71	7.2	1.24	2.84	29	0.72

DIRECTION OF ROTATION



UNIT : MILLIMETERS

SH-030SA-08240

12.0V

