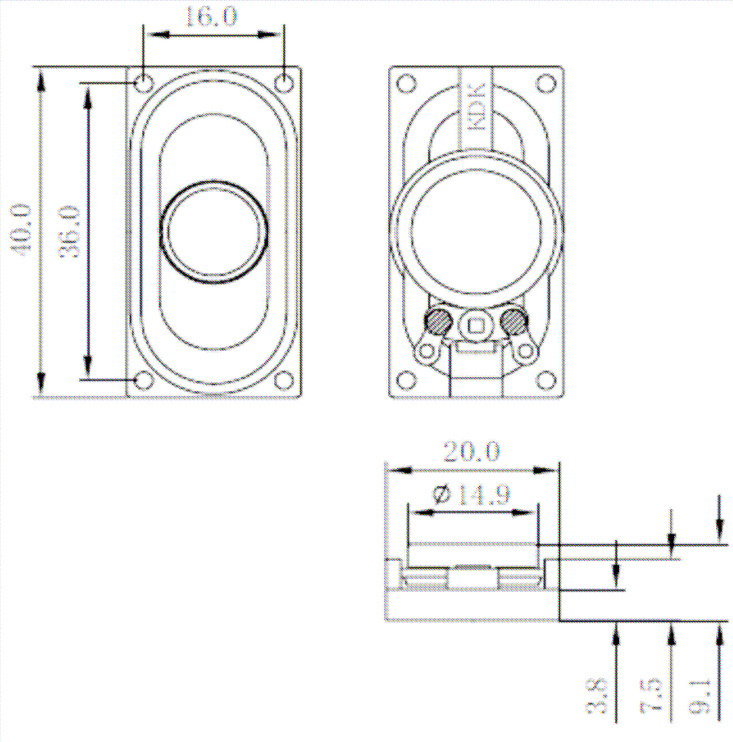


KDK A42EN01L RoHS

8Ω 2W リード12cm 取付けネジM2

寸法 Size. mm	外観 Shape (単位: mm)
40x20x9.1	 <p>The technical drawing illustrates the resistor's geometry. The front view shows an overall height of 40.0 mm and an inner diameter of 36.0 mm. The width is 16.0 mm. The side view shows a total width of 20.0 mm and a central diameter of $\phi 14.9$. A detail view of the lead shows a diameter of $\phi 14.9$ and a length of 9.1 mm. The lead thickness is 3.8 mm, and the distance from the resistor body to the lead start is 7.5 mm. The KDK logo is visible on the side view.</p>