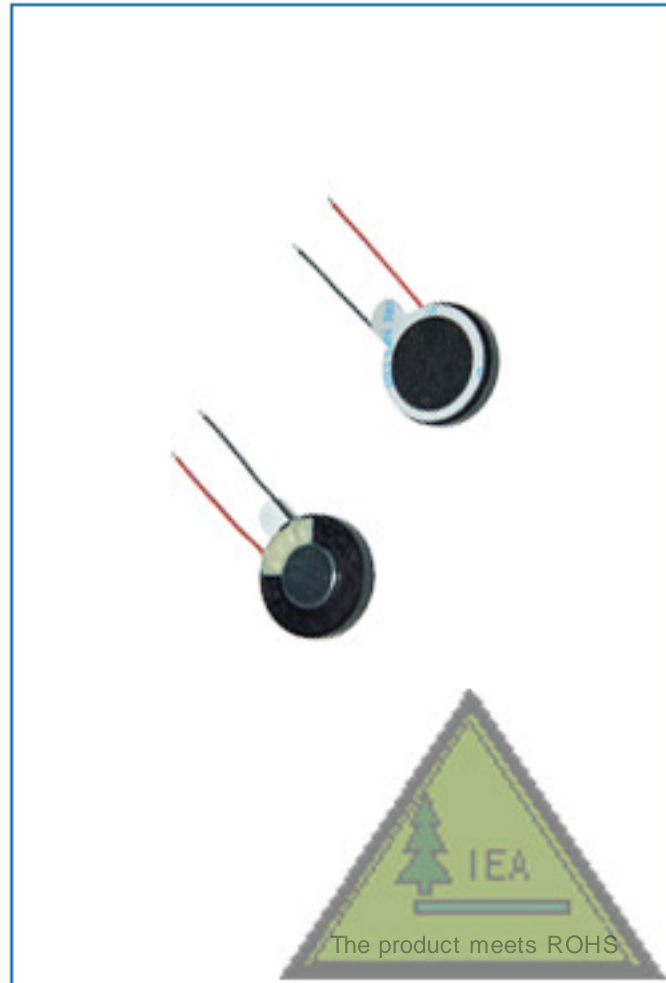


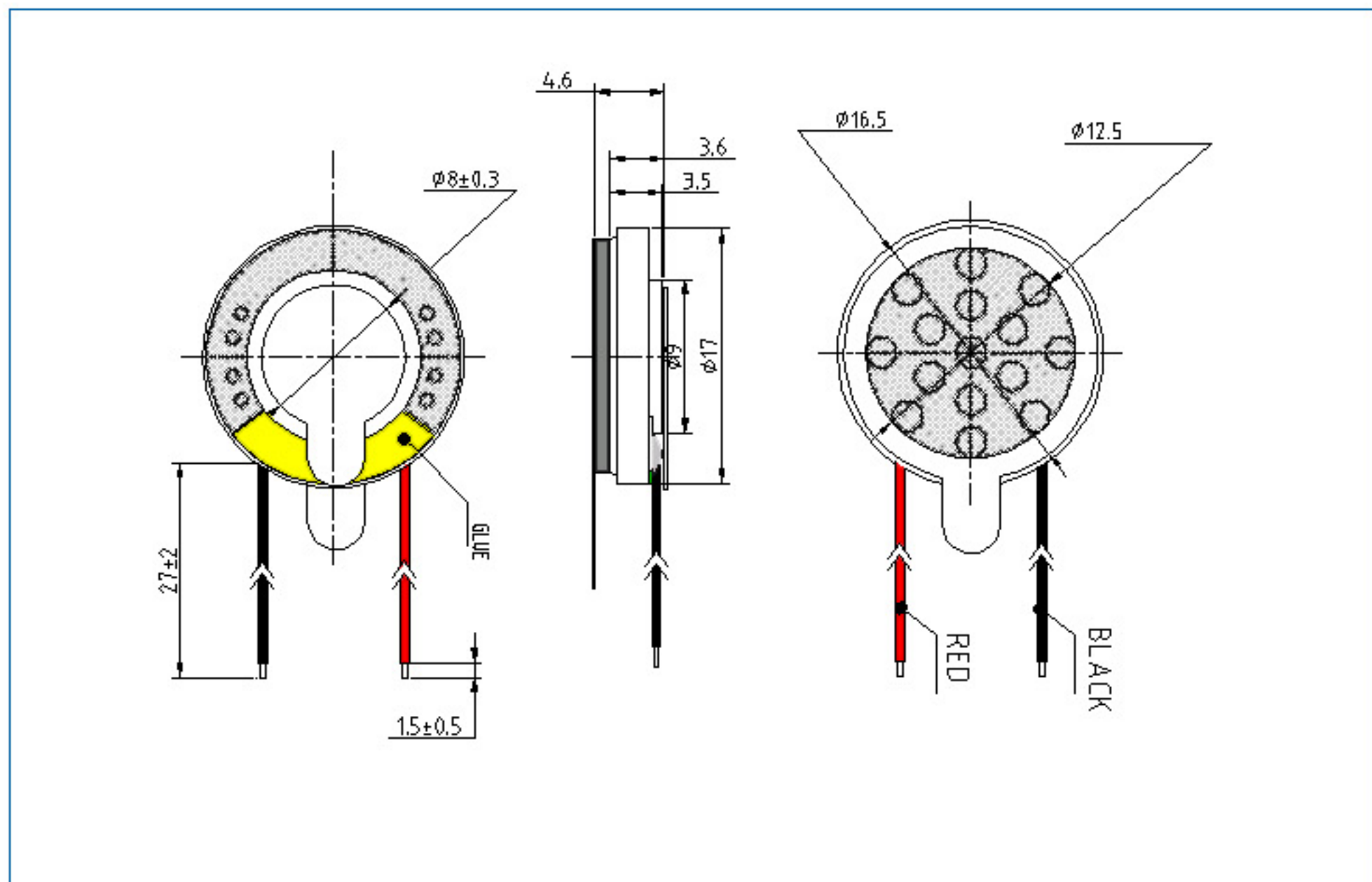
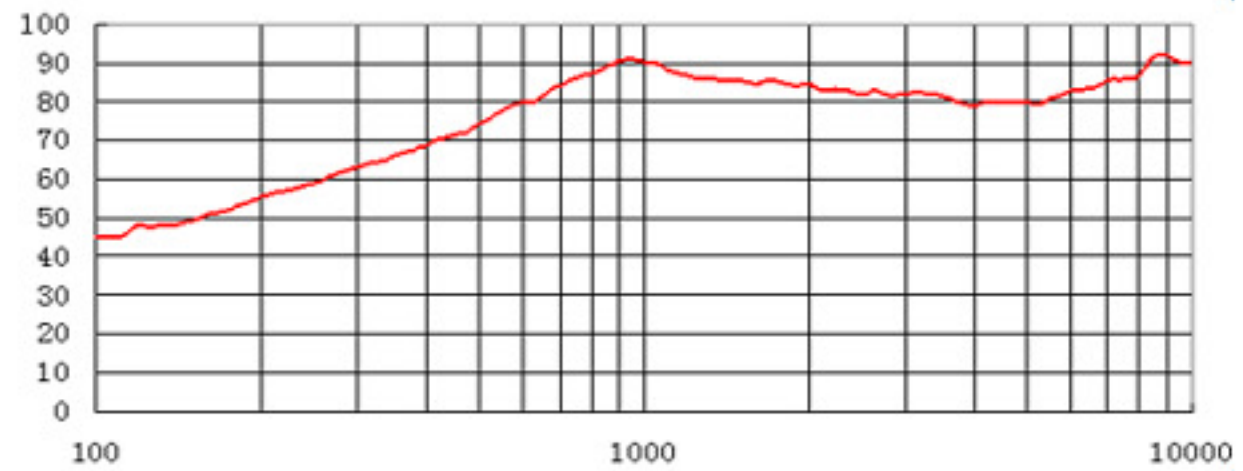
PRODUCT SPECIFICATIONS

Type : Speaker

Number : ISSR-1735-08W-06



Parameter	Data	Specifications	Unit
Impedance at 2 KHz		8 ± 15%	Ω
Resonance Frequency(f_0)		900 ± 20%	Hz
Sensitivity(0dB=20uPa) At 0.8, 1, 1.2, 1.5KHz/AVE 0.1W, 0.1M		88 ± 3	dB
Operating Power (Nom/Max)		0.5/0.8	W
Total Harmonic Distortion 2 KHz/ Nom.power		Max. 5	%
Buzz & Rattles		2V at F0~20KHz	Sine wave
Weight		1.3 ± 0.2	g



Address: Ronghua North Road New & High Technology Industry Development District ShanDong, China

Tel: (86)0536-5097777, (86)0536-5097777-8001; Fax: (86)0536-8883251(& 2104397)

Url: <http://www.iea.cn>; E-mail: iea@iea.cn