



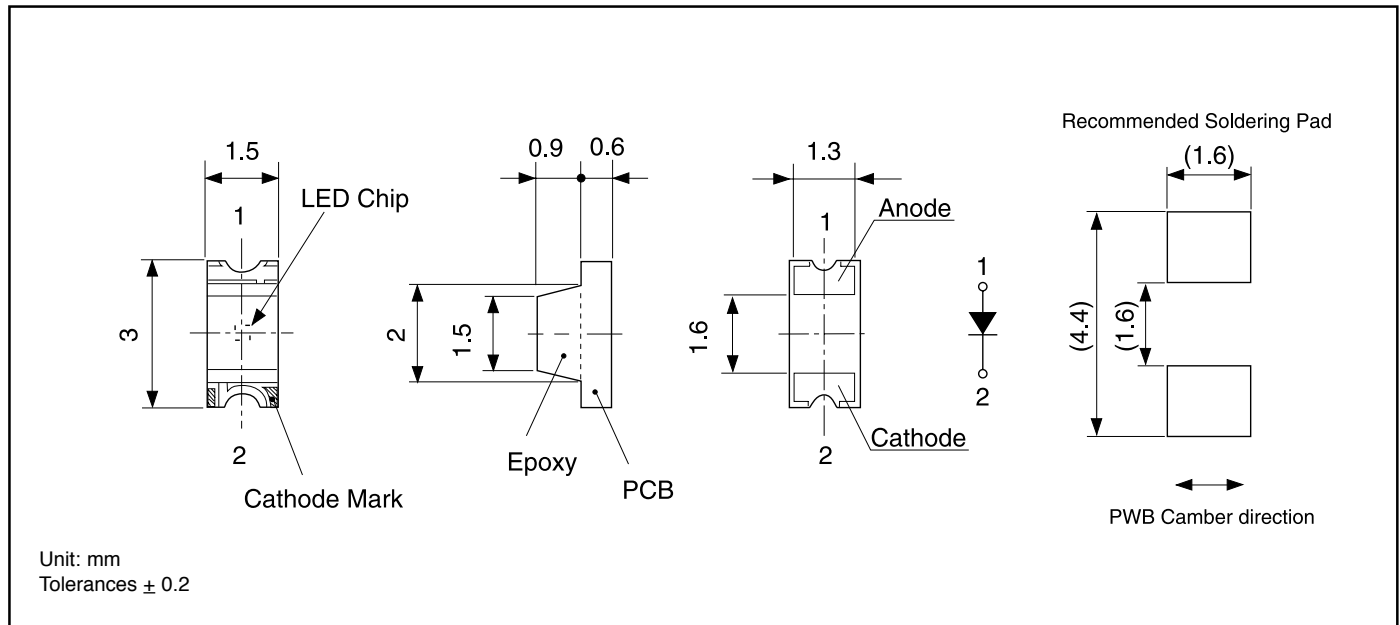
### Features

- Flat lens type with a wide viewing angle of 150°
- Excellent for backlighting LCDs and indicators

### Applications

- Computer / Telecommunications
- Industrial / Medical
- Audio visual equipment

### Outline Dimensions



### Electro-Optical Characteristics

( $T_a=25^\circ\text{C}$ )

Type No.	Material	Emitted Color	Lens Color	Luminous Intensity $I_v$			Wavelength				Forward Voltage $V_f$			Reverse Current $I_R$		Viewing Angle ( $2\theta_{1/2}$ )
				MIN.	TYP.	$I_f$	Peak $\lambda_p$ TYP.	Dominant $\lambda_d$ TYP.	Spectral Line Half Width $\Delta\lambda$ TYP.	$I_f$	TYP.	MAX.	$I_f$	MAX.	$V_R$	
BR1101W	GaAlAs	Red	Water Clear	4.4	12.8	20	660	647	30	20	1.7	2.0	20	100	4	150°
AA1101W	GaAsP	Orange		2.8	5.6	20	605	606	30	20	2.2	2.5	20	100	4	
AY1101W	GaAsP	Yellow		2.0	4.0	20	580	590	30	20	2.2	2.5	20	100	4	
PY1101W	GaP	Yellow Green		4.0	8.0	20	570	572	30	20	2.1	2.5	20	100	4	
PG1101W	GaP	Green		2.4	4.8	20	560	567	30	20	2.1	2.5	20	100	4	
BG1101W	GaP	Pure Green		0.7	2.0	20	555	558	30	20	2.1	2.5	20	100	4	
Units				mcd		mA	nm			mA	V	mA	$\mu\text{A}$	V	Deg.	

