

RC-280RA/SA

MABUCHI MOTOR

カーボンブラシ

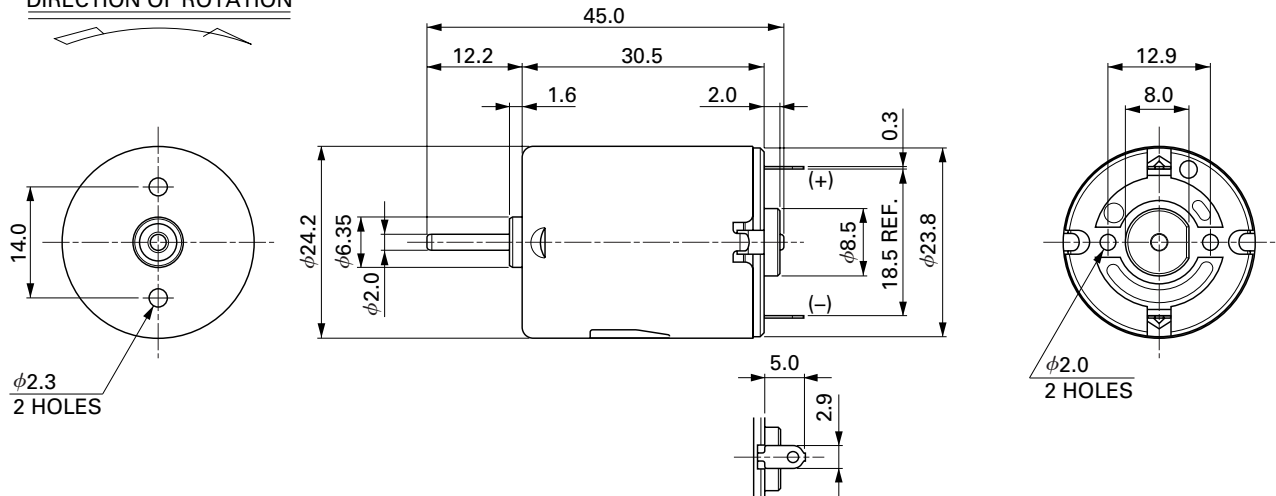
OUTPUT : 0.5W~24W (APPROX)

WEIGHT : 42g (APPROX)

代表的用途 家電機器: バリカン/ マッサージャー/ バイブレーター
玩具・模型: ラジコン

MODEL	VOLTAGE		NO LOAD		AT MAXIMUM EFFICIENCY				STALL			
	OPERATING RANGE	NOMINAL	SPEED r/min	CURRENT A	SPEED r/min	CURRENT A	TORQUE mN·m	TORQUE g·cm	OUTPUT W	TORQUE mN·m	TORQUE g·cm	CURRENT A
RC-280RA-2865	4.5~6.0	4.5V CONSTANT	13600	0.27	11350	1.36	2.92	29.8	3.47	17.7	180	6.90
RC-280RA-20120	4.5~9.0	6V CONSTANT	9900	0.12	8210	0.58	2.26	23.0	1.94	13.2	135	2.82
RC-280RA-2485	4.5~8.4	7.2V CONSTANT	16800	0.21	14260	1.18	3.27	33.3	4.87	21.6	220	6.60
RC-280SA-2865	4.5~9.0	6V CONSTANT	14000	0.28	11910	1.60	4.46	45.5	5.56	29.9	305	9.10
RC-280SA-20120	4.5~12.0	12V CONSTANT	15500	0.15	13320	0.92	4.68	47.7	6.52	33.3	339	5.60
RC-280SA-2485	4.5~9.6	6V CONSTANT	10800	0.18	9130	0.99	3.71	37.8	3.54	24.0	245	5.40

DIRECTION OF ROTATION



UNIT: MILLIMETERS

RC-280RA-2865

4.5V

RC-280SA-2865

6.0V

