

4 mm Square SMT Trimmer Potentiometers (Cermet, Open Frame Type)

Type: **EVM1D**
EVM1E
EVM1U



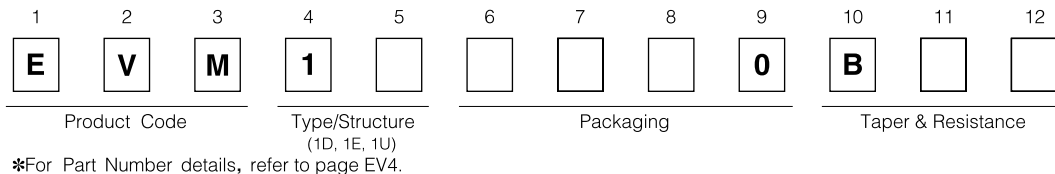
■ Features

- 4 mm square series for reflow soldering
- Excellent mounting efficiency
- Both sides adjust (EVM1U)
- Approved under the ISO 9001 system
- Conforms to JIS C5261

■ Recommended Applications

- Audio Visual equipment, Office Automation equipment, Communications equipment
- Other general electronic equipment

■ Explanation of Part Numbers



■ Major Specifications

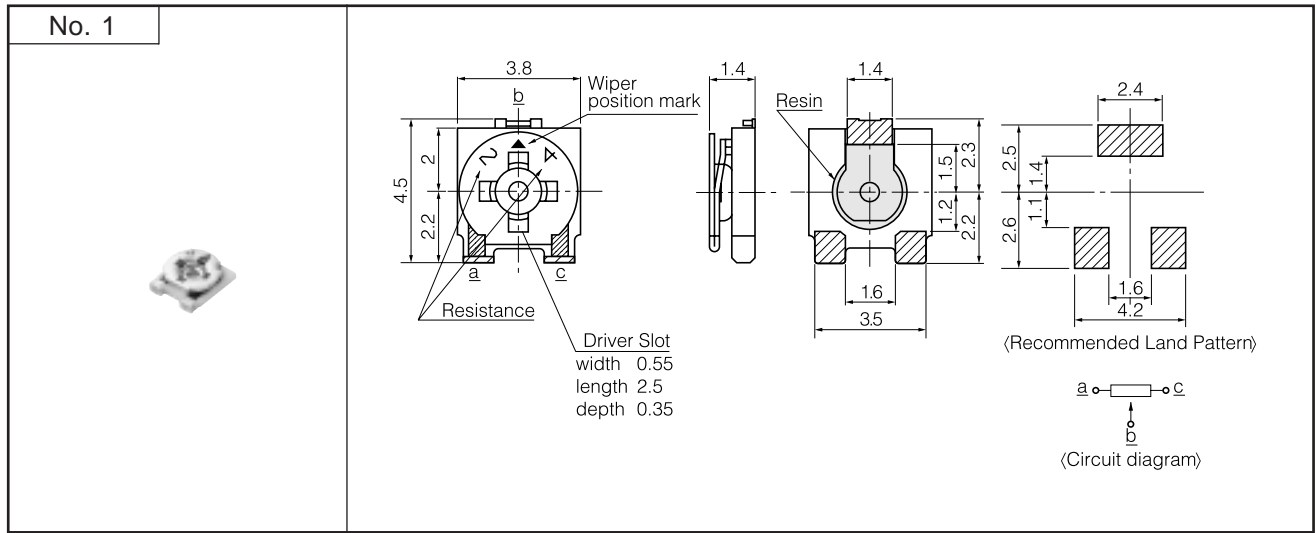
Total Resistance Value	100 Ω to 1 MΩ
Resistance Tolerance	±25 %
Power Rating	0.2 W
Maximum Operating Voltage	50 V
Rotation Torque	2 to 20 mN·m
Temperature Coefficient of Resistance	±250 × 10 ⁻⁶ /°C

■ Minimum Quantity/Packing Unit

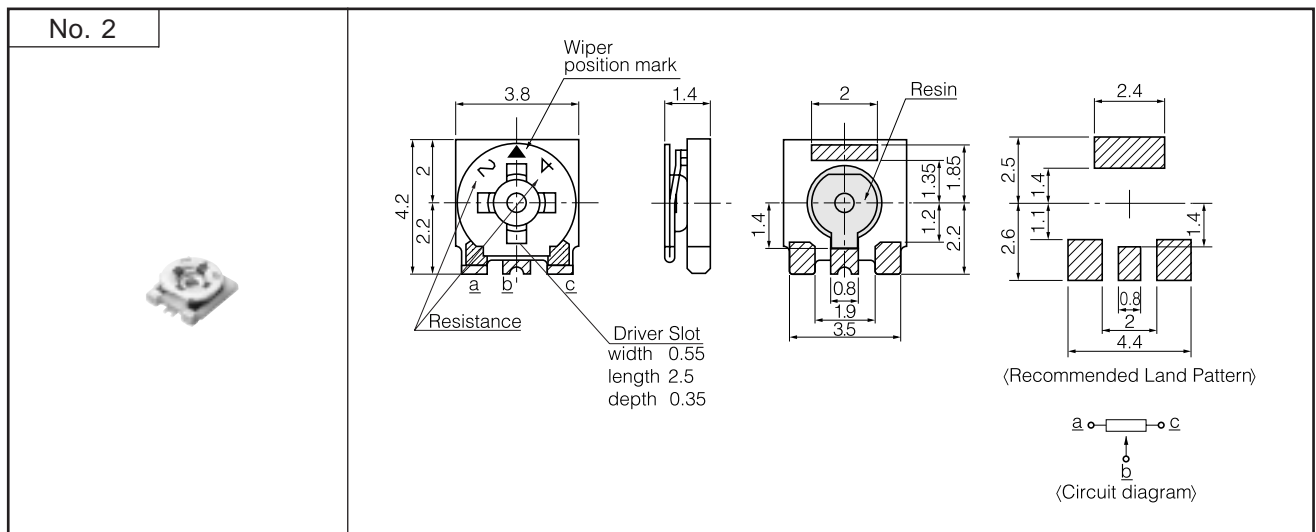
Part Number	Taping			Bulk	
	Quantity per reel	Packaging quantity	Dia. of reel (mm)	Quantity per pack	Packaging quantity
EVM1D	1000	4000	φ178	1000	5000
EVM1E			φ380		
EVM1U	5000	20000			

■ Dimensions in mm (not to scale)

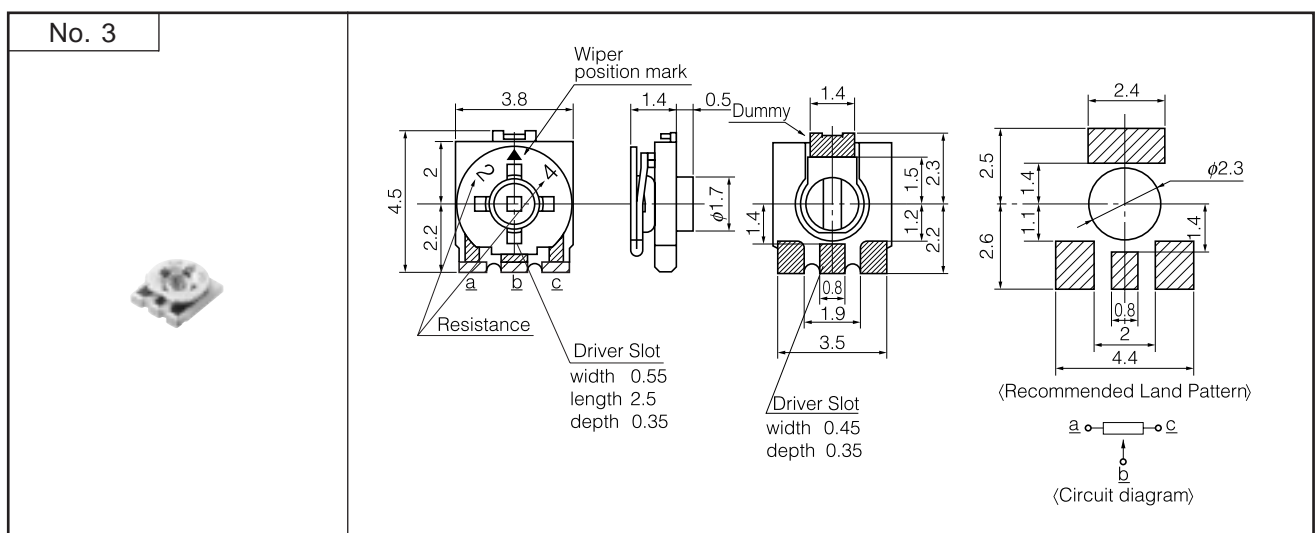
● 3-terminal, Cross Slot EVM1D



● 3-terminal, Cross Slot EVM1E



● 3-terminal, Cross Slot, Both Sides Adjust EVM1U



■ Explanation of Part Numbers

Classification	Type	Symbol
Cermet	2 mm Open	EVM2W(low-profile)
	3 mm Open	EVM3Y, EVM3S EVM3W(low-profile) EVM3V(with rotation stopper)
	4 mm Open	EVM1D, EVM1E EVM1U
	3 mm Sealed	EVM7J, EVM7L
Carbon	3 mm Dustproof	EVN5E(with rotation stopper) EVN5C

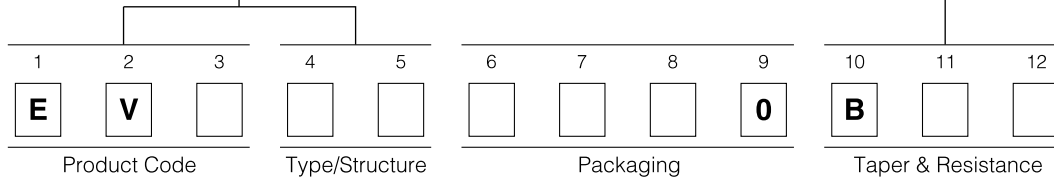
10 th Taper B	11 th Significant Number of resistance	12 th Number of zero
---------------------	--	-------------------------

Example:

Resistance	Symbol
500 Ω	52
47 kΩ	Q4
1 MΩ	16

Note: When significant number is odd, letters are assigned as shown below.

11th	Significant number
C	1.5
E	2.2
Y	3.3
Q	4.7
S	6.8



6th	7th	Packaging
G	A	Cermet Bulk
S	W	Carrier tape
	X	(7th: Direction of insertion. Refer to Packaging Specifications)

8th	Quantity	Refer to "Packaging Specifications" regarding packing quantity for each part number.
0	750	
1	5000	
3	1000	
4	4000	
5	2000	
6	12000	
7	7500	
8	3000	