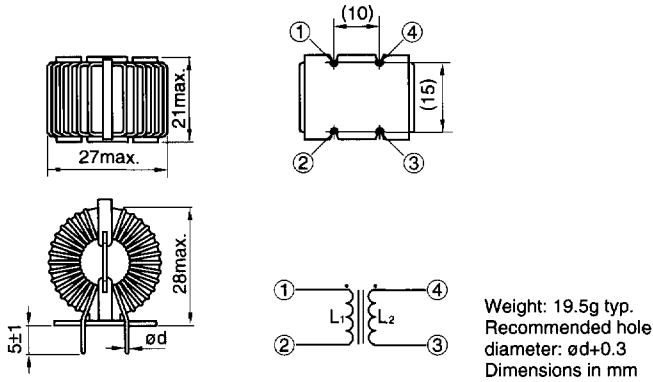


Filters
EMI/EMC
Common-mode choke coil

COMMON-MODE CHOKES

TF series

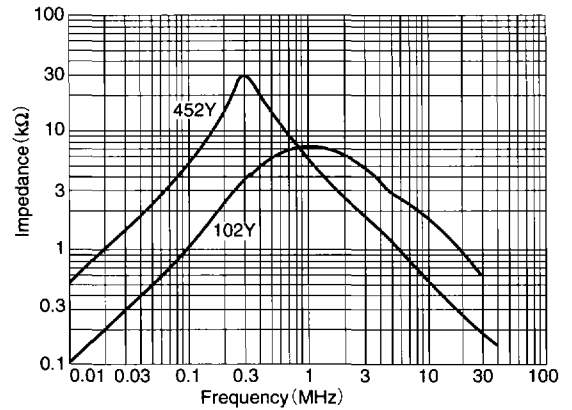
TF2528S TYPE



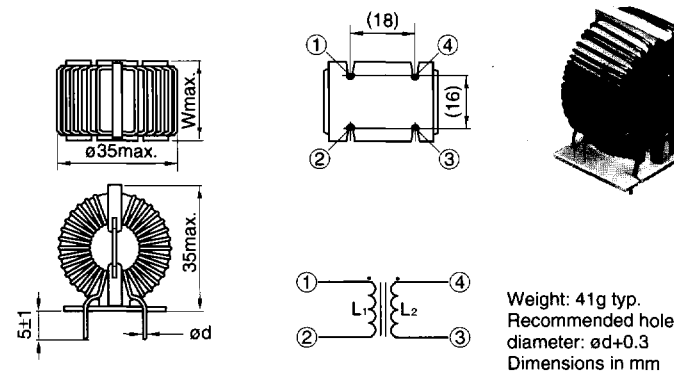
ELECTRICAL CHARACTERISTICS

Part No.	Inductance (mH)min.	L ₁ -L ₂ inductance difference (μH)max.	DC resistance (Ω)max.	Rated current I _{ac} (A)max.	ød (mm)
TF2528S-452Y3R3-01	4.5	150	0.09	3.3	0.65
TF2528S-202Y3R0-01	2	75	0.1	3	0.65
TF2528S-102Y5R0-01	1	50	0.05	5	0.8
TF2528S-601Y8R0-01	0.6	50	0.015	8	1.1
TF2528S-401Y10R0-01	0.4	50	0.01	10	1.1

TYPICAL ELECTRICAL CHARACTERISTICS IMPEDANCE vs. FREQUENCY CHARACTERISTICS



TF3233S TYPE



ELECTRICAL CHARACTERISTICS

Part No.	Inductance (mH)min.	L ₁ -L ₂ inductance difference (μH)max.	DC resistance (Ω)max.	Rated current I _{ac} (A)max.	H (mm)	ød (mm)
TF3233S-103Y3R0-01	10	100	0.18	3	24	0.7
TF3233S-502Y5R0-01	5	75	0.1	5	23	0.8
TF3233S-102Y10R0-01	1	50	0.02	10	23	1.3
TF3233S-601Y15R0-01	0.6	50	0.007	15	23	1.6
TF3233S-151Y20R0-01	0.15	30	0.005	20	23	1.8

TYPICAL ELECTRICAL CHARACTERISTICS IMPEDANCE vs. FREQUENCY CHARACTERISTICS

