

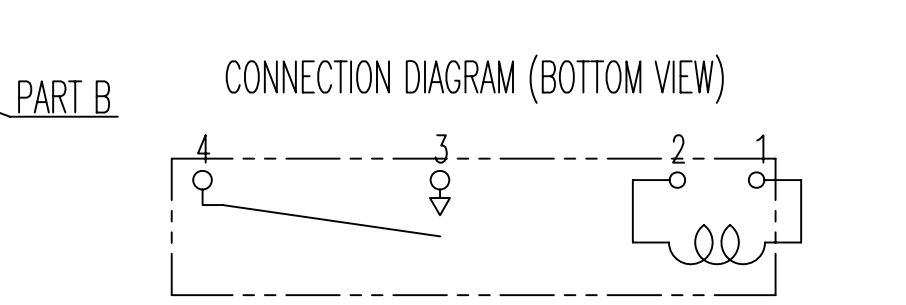
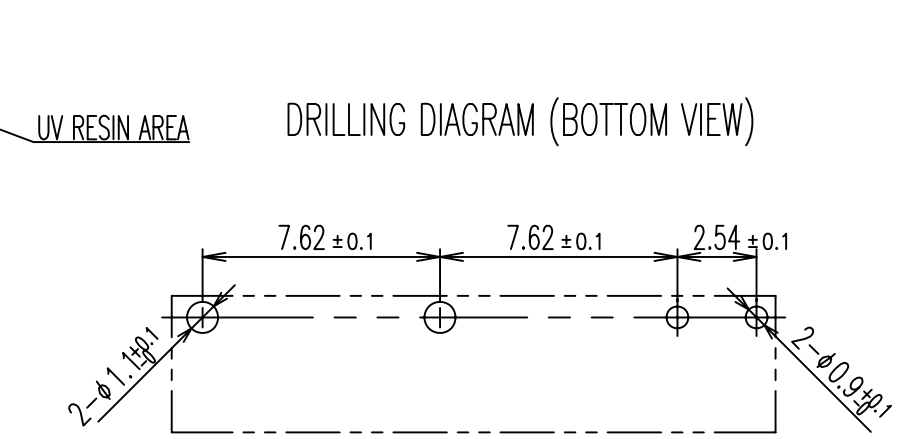
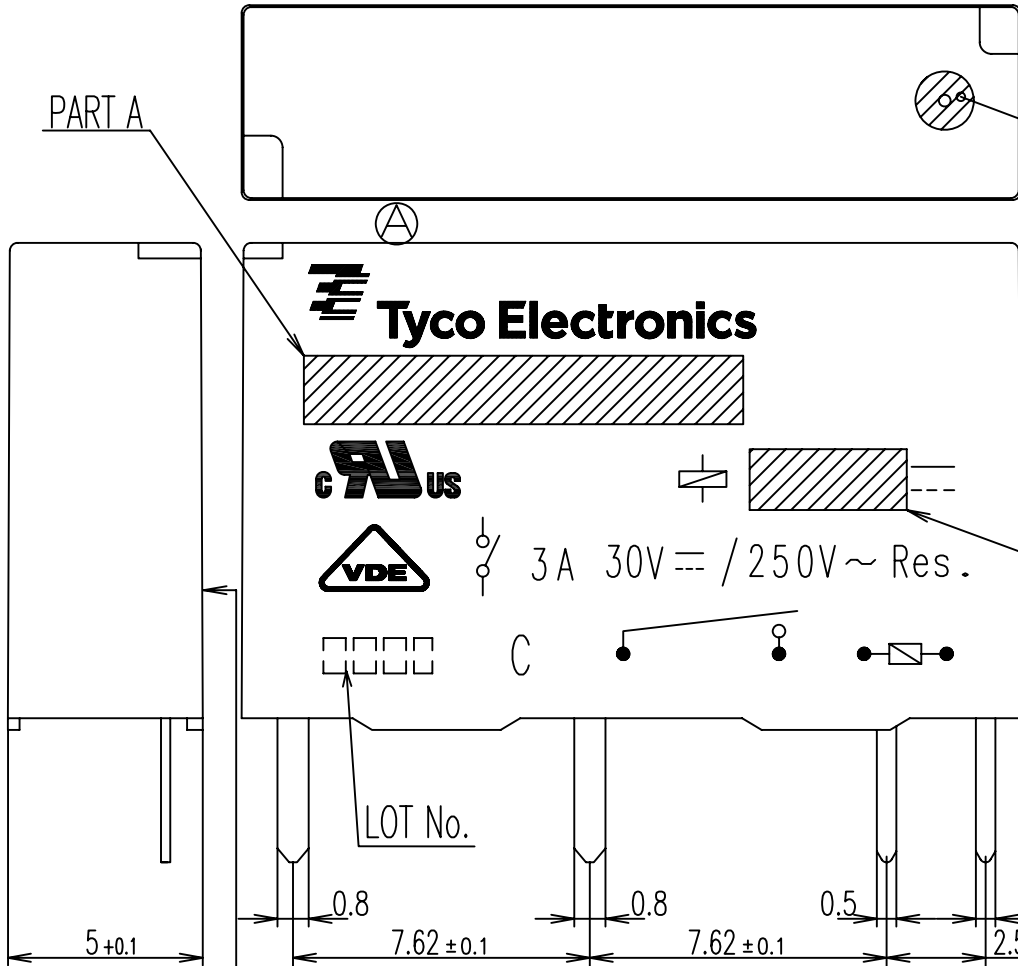
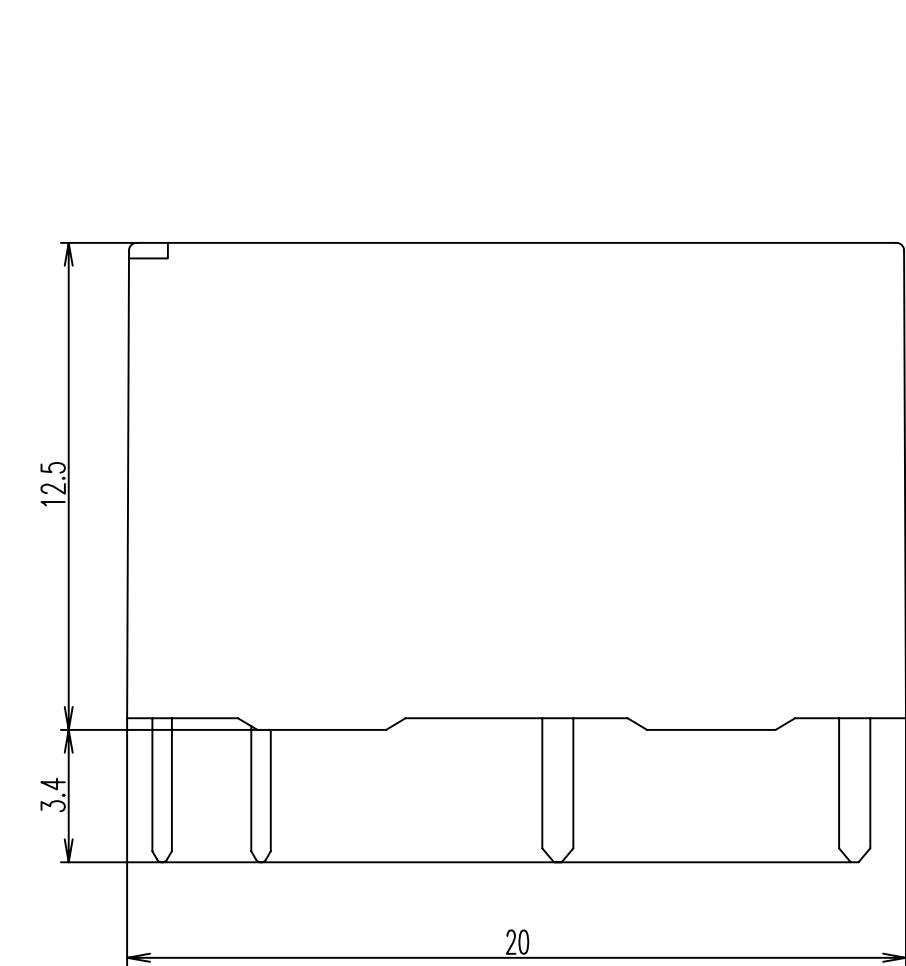
THIS DRAWING IS UNPUBLISHED. RELEASED FOR PUBLICATION  
 © COPYRIGHT BY TYCO ELECTRONICS CORPORATION. ALL RIGHTS RESERVED.

LOC  
HB

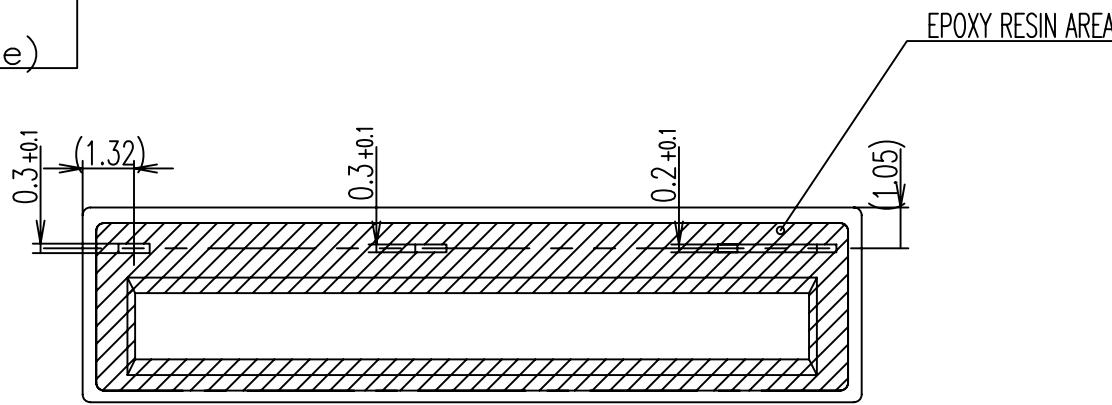
DIST

REVISIONS

P	LTR	DESCRIPTION	ECN	DATE	DWN	APVD
02		MODIFY	FK00 0014 04	16-JAN-04	H.S	A.N
A		USE NEW LOGO	ECO-08-020470	10-OCT-08	FS.H	BH.Y



(Marking Side)



1. TERMINAL DIMENSION IS AFTER SOLDER DIP  
 2. LOT NO. SYSTEM AS FOLLOWING;

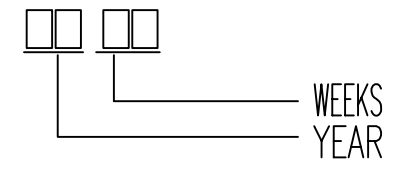


Diagram dimension	Tolerance
0.99mm max	±0.1mm
1 - 2.99mm	±0.2mm
3mm min	±0.3mm

THIS DRAWING IS A CONTROLLED DOCUMENT FOR TYCO ELECTRONICS CORPORATION IT IS SUBJECT TO CHANGE AND THE CONTROLLING ENGINEERING ORGANIZATION SHOULD BE CONTACTED FOR THE LATEST REVISION.

DIMENSIONS: mm	TOLERANCES UNLESS OTHERWISE SPECIFIED: 0 PLC ± 1 PLC ± 2 PLC ± 3 PLC ± 4 PLC ± ANGLES ±	DWN Y.OKAMOTO CHK M.MOCHIZUKI APVD A.NAGAI PRODUCT SPEC SEE PRODUCT SPEC APPLICATION SPEC -	Tyco Electronics Corporation Shenzhen, China	
MATERIAL -	FINISH -	WEIGHT -	SIZE A3	CAGE CODE 00779
CUSTOMER DRAWING			DRAWING NO C= 1721066	RESTRICTED TO -
			SCALE 5:1	SHEET 1 of 3
				REV A

THIS DRAWING IS UNPUBLISHED. RELEASED FOR PUBLICATION  
 © COPYRIGHT BY TYCO ELECTRONICS CORPORATION. ALL RIGHTS RESERVED.

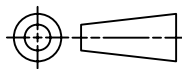
LOC	HB	DIST	REVISIONS						
			P	LTR	DESCRIPTION	ECN	DATE	DWN	APVD
0					RELEASE				

TEM	DESCRIPTION	a	b
15	UV RESIN		AR
14	CASE (NATURAL)	1	1
13	EPOXY	AR	AR
12	MAGNETIC WIRE	AR	AR
11	CARD (NATURAL)	1	1
10	ARMATURE	1	1
9	STATIONARY CONTACT	1	1
8	STATIONARY TERMINAL	1	1
7	MOVABLE CONTACT	2	2
6	MOVABLE TERMINAL	1	1
5	BASE (NATURAL)	1	1
4	CORE	1	1
3	COIL TERMINAL B	1	1
2	COIL TERMINAL A	1	1
1	BOBBIN (BLACK ONLY)	1	1

PARTS LIST

DESCRIPTION	PART B	EC TYPE NO (PART A)	TE PART NO	PACKING SPECIFICATION	PRODUCT SPEC	DISCRIPTION	No.
PRELIMINARY	24V	PCN-124L3MHZ	1-1721066-6	107-79043 (TRAY)	108-79711	REINFORCED INSURATION WASHABLE TYPE	b
PRELIMINARY	18V	PCN-118L3MHZ	1-1721066-5	107-79043 (TRAY)	108-79710		
PRELIMINARY	12V	PCN-112L3MHZ	1-1721066-4	107-79043 (TRAY)	108-79709		
PRELIMINARY	9V	PCN-109L3MHZ	1-1721066-3	107-79043 (TRAY)	108-79708		
PRELIMINARY	6V	PCN-106L3MHZ	1-1721066-2	107-79043 (TRAY)	108-79707		
	5V	PCN-105L3MHZ	1-1721066-1	107-79043 (TRAY)	108-79706		
PRELIMINARY	4.5V	PCN-104L3MHZ	1-1721066-0	107-79043 (TRAY)	108-79705	REINFORCED INSURATION PLASTIC SEALED TYPE	a
PRELIMINARY	3V	PCN-103L3MHZ	1721066-9	107-79043 (TRAY)	108-79704		
PRELIMINARY	24V	PCN-124L3MZ	1721066-8	107-79043 (TRAY)	108-79703		
PRELIMINARY	18V	PCN-118L3MZ	1721066-7	107-79043 (TRAY)	108-79702		
PRELIMINARY	12V	PCN-112L3MZ	1721066-6	107-79043 (TRAY)	108-79701		
PRELIMINARY	9V	PCN-109L3MZ	1721066-5	107-79043 (TRAY)	108-79700		
PRELIMINARY	6V	PCN-106L3MZ	1721066-4	107-79043 (TRAY)	108-79699		
PRELIMINARY	5V	PCN-105L3MZ	1721066-3	107-79043 (TRAY)	108-79698		
PRELIMINARY	4.5V	PCN-104L3MZ	1721066-2	107-79043 (TRAY)	108-79697		
PRELIMINARY	3V	PCN-103L3MZ	1721066-1	107-79043 (TRAY)	108-79696		

MOLD COLOR  
 NATURAL: REINFORCED INSURATION MODEL

THIS DRAWING IS A CONTROLLED DOCUMENT FOR TYCO ELECTRONICS CORPORATION IT IS SUBJECT TO CHANGE AND THE CONTROLLING ENGINEERING ORGANIZATION SHOULD BE CONTACTED FOR THE LATEST REVISION.		DWN		Tyco Electronics Tyco Electronics Corporation Shenzhen, China	
DIMENSIONS: mm		TOLERANCES UNLESS OTHERWISE SPECIFIED:		NAME	
		0 PLC ±		PCN-L3M** CUSTOMER DRAWING	
		1 PLC ±		SIZE	
MATERIAL		2 PLC ±		CAGE CODE	
		3 PLC ±		DRAWING NO	
FINISH		4 PLC ±		RESTRICTED TO	
		ANGLES ±		-	
		WEIGHT		A3 00779 C- 1721066	
		CUSTOMER DRAWING		SCALE SHEET 2 OF 3 REV A	

THIS DRAWING IS UNPUBLISHED. RELEASED FOR PUBLICATION  
 © COPYRIGHT BY TYCO ELECTRONICS CORPORATION. ALL RIGHTS RESERVED.

LOC	HB	DIST	REVISIONS							
			P	LTR	DESCRIPTION	ECN	DATE	DWN	APVD	
			0		RELEASE					

01

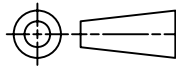
TEM	DESCRIPTION	a	b
15	UV RESIN		AR
14	CASE (NATURAL)	1	1
13	EPOXY	AR	AR
12	MAGNETIC WIRE	AR	AR
11	CARD (NATURAL)	1	1
10	ARMATURE	1	1
9	STATIONARY CONTACT	1	1
8	STATIONARY TERMINAL	1	1
7	MOVABLE CONTACT	2	2
6	MOVABLE TERMINAL	1	1
5	BASE (NATURAL)	1	1
4	CORE	1	1
3	COIL TERMINAL B	1	1
2	COIL TERMINAL A	1	1
1	BOBBIN (BLACK ONLY)	1	1

PARTS LIST

DESCRIPTION	PART B	EC TYPE NO (PART A)	TE PART NO	PACKING SPECIFICATION	PRODUCT SPEC	DISCRIPTION	No.
PRELIMINARY	24V	PCN-124L3MHZ	3-1721066-2	107-79039 (TUBE)	108-79711	REINFORCED INSURATION WASHABLE TYPE	b
PRELIMINARY	18V	PCN-118L3MHZ	3-1721066-1	107-79039 (TUBE)	108-79710		
PRELIMINARY	12V	PCN-112L3MHZ	3-1721066-0	107-79039 (TUBE)	108-79709		
PRELIMINARY	9V	PCN-109L3MHZ	2-1721066-9	107-79039 (TUBE)	108-79708		
PRELIMINARY	6V	PCN-106L3MHZ	2-1721066-8	107-79039 (TUBE)	108-79707		
PRELIMINARY	5V	PCN-105L3MHZ	2-1721066-7	107-79039 (TUBE)	108-79706		
PRELIMINARY	4.5V	PCN-104L3MHZ	2-1721066-6	107-79039 (TUBE)	108-79705		
PRELIMINARY	3V	PCN-103L3MHZ	2-1721066-5	107-79039 (TUBE)	108-79704		
PRELIMINARY	24V	PCN-124L3MZ	2-1721066-4	107-79039 (TUBE)	108-79703	REINFORCED INSURATION PLASTIC SEALED TYPE	a
PRELIMINARY	18V	PCN-118L3MZ	2-1721066-3	107-79039 (TUBE)	108-79702		
PRELIMINARY	12V	PCN-112L3MZ	2-1721066-2	107-79039 (TUBE)	108-79701		
PRELIMINARY	9V	PCN-109L3MZ	2-1721066-1	107-79039 (TUBE)	108-79700		
PRELIMINARY	6V	PCN-106L3MZ	2-1721066-0	107-79039 (TUBE)	108-79699		
PRELIMINARY	5V	PCN-105L3MZ	1-1721066-9	107-79039 (TUBE)	108-79698		
PRELIMINARY	4.5V	PCN-104L3MZ	1-1721066-8	107-79039 (TUBE)	108-79697		
PRELIMINARY	3V	PCN-103L3MZ	1-1721066-7	107-79039 (TUBE)	108-79696		

MOLD COLOR

NATURAL: REINFORCED INSURATION MODEL

THIS DRAWING IS A CONTROLLED DOCUMENT FOR TYCO ELECTRONICS CORPORATION IT IS SUBJECT TO CHANGE AND THE CONTROLLING ENGINEERING ORGANIZATION SHOULD BE CONTACTED FOR THE LATEST REVISION.		DWN		Tyco Electronics Tyco Electronics Corporation Shenzhen, China	
DIMENSIONS: mm		TOLERANCES UNLESS OTHERWISE SPECIFIED:		NAME	
		0 PLC ± 1 PLC ± 2 PLC ± 3 PLC ± 4 PLC ± ANGLES ±		PCN-L3M** CUSTOMER DRAWING	
MATERIAL		FINISH		SIZE A3	
				CAGE CODE 00779	
				DRAWING NO 1721066	
				RESTRICTED TO -	
				SCALE	
				SHEET 3 OF 3	
				REV A	