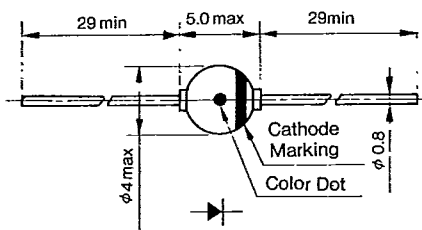


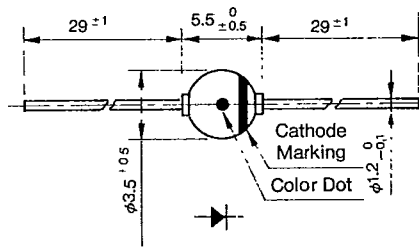
GM/SG

Rating / Characteristics	Absolute Maximum Ratings					Electrical Characteristics ($T_a = 25^\circ C$)					Others		
	V_{RSM} (V)	V_{RM} (V)	I_o (A)	I_{FSM} (A)	T_j ($^\circ C$)	T_{stg} ($^\circ C$)	V_F (V)	I_R (μA)	I_{RH} (μA)	$R_{th(j-c)}$ ($^\circ C/W$)	Outline Drawing	Weight (g)	Taping
Type No.			50Hz Half Sine Wave Single Pulse			max	I_F (A)	$V_R = V_{RM}$ max	$V_R = V_{RM}$ max	Between Junction and Case			
GM-1Z	300	200	1.3	35	$-65 \sim +175$		1.0	10	-	-	⑧	0.4	
GM-1	500	400											
GM-1A	800	600											
GM-1B	1000	800											
GM-1C	1200	1000											
GM-3Y	150	100	2.7	80	$-65 \sim +175$		3.0	-	-	⑨	0.8		
GM-3Z	300	200											
GM-3	500	400											
GM-3A	800	600											
GM-3B	1000	800											
GM-3C	1200	1000			$-40 \sim +150$	1.2	20	100	5mA ($T_a = 100^\circ C$)	⑩	2.3		
SG-5FS	200	200											
SG-5FR	200	200											
SG-5(+)	200	200											
SG-5(-)	200	200											
SG-6(+)	-	200	25	300	$-40 \sim +150$		20	100	5mA ($T_a = 100^\circ C$)	⑪	2.3		
SG-6(-)	-	200											
SG-5L(+)	-	200											
SG-5L(-)	-	200											
SG-6LS	-	200											
SG-6LR	-	200	30	250	$-40 \sim +150$			1500	5mA ($T_a = 150^\circ C$)	⑫	2.3		
SG-5T(+)	-	200											
SG-5T(-)	-	200											

Outline Drawing ⑧

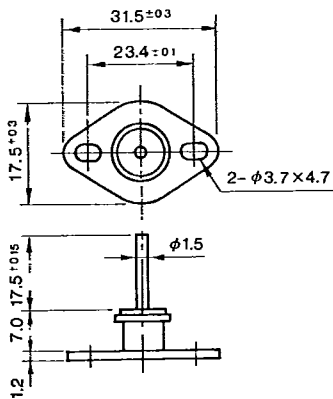


Outline Drawing ⑨

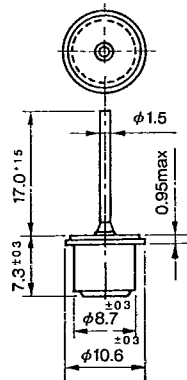


⑧~⑨: Glass Molded
Flammability: Noncombustible

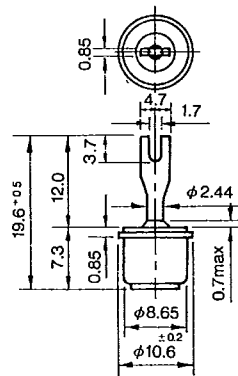
Outline Drawing ⑩



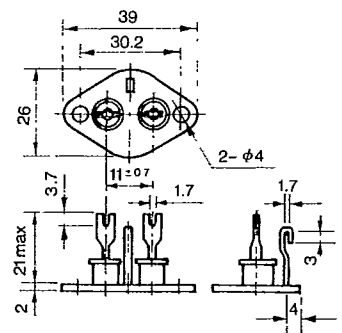
Outline Drawing ⑪



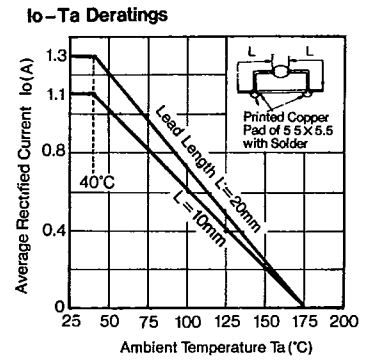
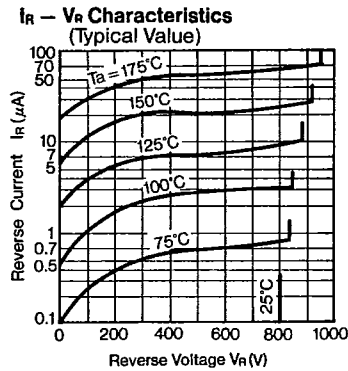
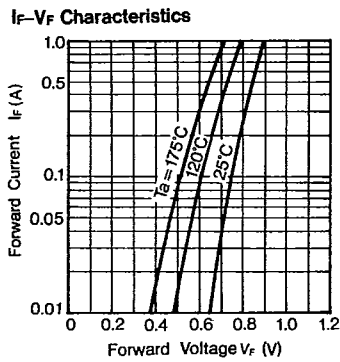
Outline Drawing ⑫



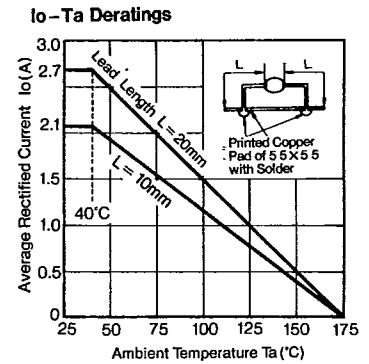
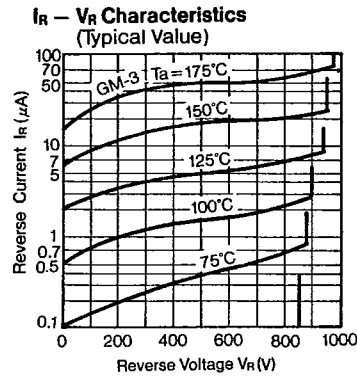
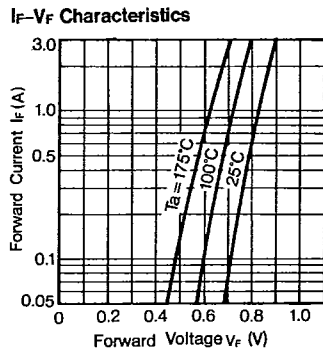
Outline Drawing ⑬



GM-1 Series



GM-3 Series



**SG-5 Series
SG-5F Series
SG-5T Series**

